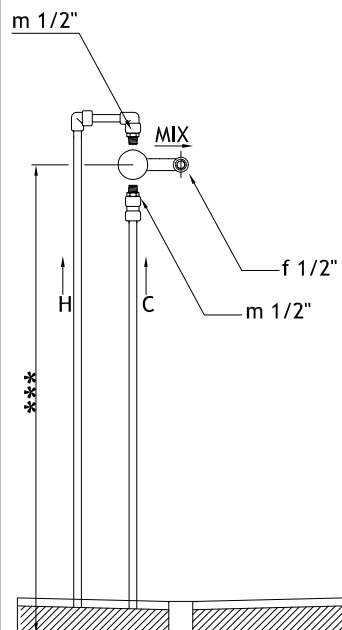
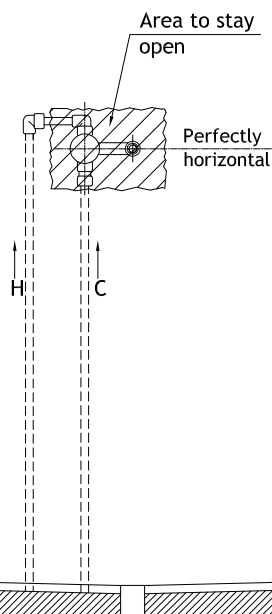
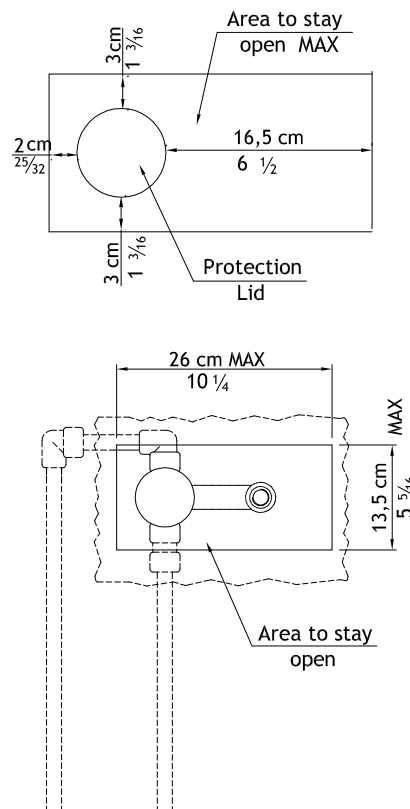


## PLUMBING CONNECTION

WALL DETAILS  
(After Plumbing)DETAILS FOR WALL  
COVERING

## IN THE WALL FITTING (depth)

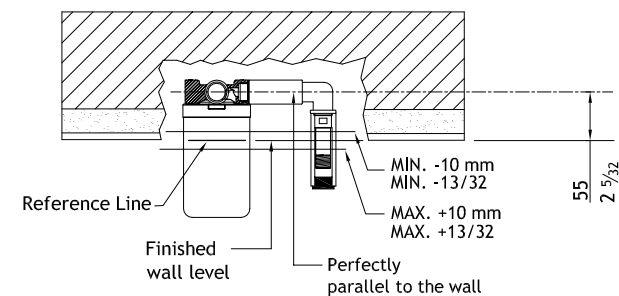
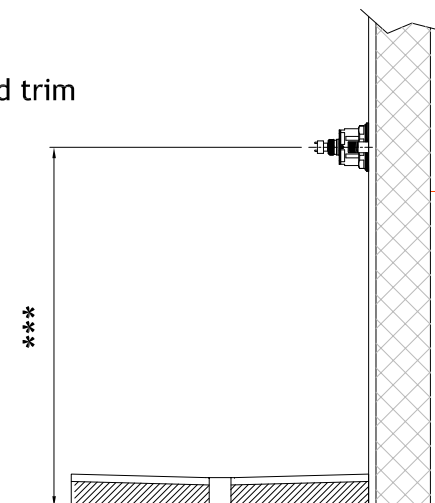


Fig.1

\*\*\* Height from floor  
according to selected trim



## WARNING

- 1- The thermostat mixer body must be installed so that the reference line on the protection lid will correspond to the future finished wall level; (check that protection lid is fully screwed on)(Fig.1).
- 2- Check that thermostat mixer body and protection lid are perfectly horizontal.
- 3- Never close output nozzle. For testing check however that valve is closed.

**MGS Progetti srl**

Corso Milano,189 - 28883 Gravellona Toce (VB) - Italy

www.mgstaps.com - E-mail: info@mgstaps.com - Tel.:+39 0323 865218 - Fax:+39 0323 865215