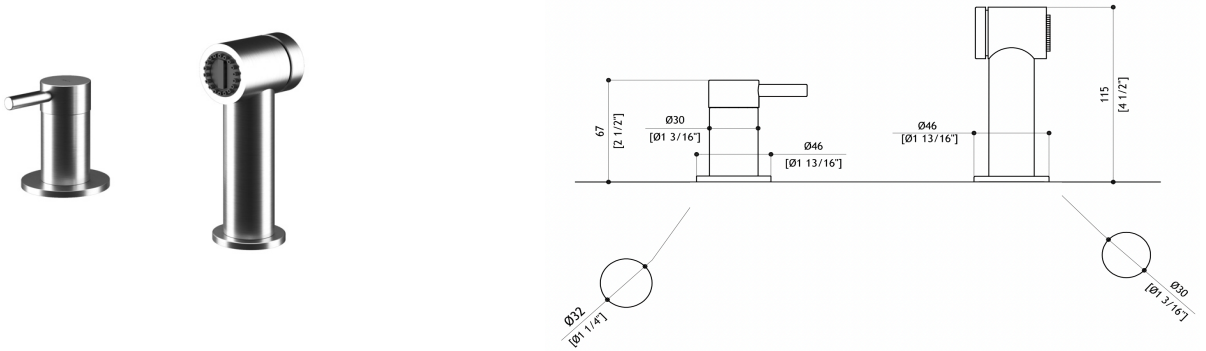


MGS F2 SCS

Mixer with side-spray



Specifications:

- **Marine Grade Stainless steel AISI316L**
- 100% lead free – fully recyclable
- The separate mixer can be freely positioned to the right or left of the spout, or also on the side of the sink
- Areas of application: Indoor & outdoor
- PVD finishes over brushed stainless steel

Available Finishes:



Stainless Steel



Black Steel



Titanium



Bronze



Light Gold

Engineered in Switzerland



Made in Italy