



**INSTRUCTIONS BOOKLET**

**0181 - SPIN HC SK**





**MGS Progetti** srl vi ringrazia per aver scelto questo suo prodotto. I rubinetti **MGS** sono realizzati in acciaio inossidabile e vengono lucidati e spazzolati a mano per far risaltare la naturale bellezza e preziosità del metallo. Ne consegue che, seppur simili, i nostri rubinetti non sono mai identici. Il vostro rubinetto **MGS** sarà sempre nuovo anche dopo anni di utilizzo: basterà lucidarne la superficie con un prodotto idoneo alla pulizia dell' acciaio inossidabile.

**MGS Progetti** srl dankt Ihnen für den Kauf dieses Produktes. **MGS** Armaturen aus Edelstahl sind exklusiv und werden von Hand poliert und gebürstet, wodurch die schöne natürliche Oberfläche dieses edlen Metalles erzielt wird. Alle Produkte sind daher gleich, aber nicht identisch, auf jeden Fall etwas Besonderes. Ihre **MGS** Armatur wird lebenslang unverändert bleiben, wenn Sie die Oberfläche mit einem für Edelstahl geeignetem Reinigungsmittel polieren.

**MGS Progetti** srl would like to thank you for choosing this product. **MGS** stainless steel faucets are hand polished and brushed for obtaining the beautiful natural finish of this noble metal. All products are therefore alike but not identical, synonymous of exclusivity. Your **MGS** faucet will stay beautiful for a life-time by just polishing its surface with a cleaning product suitable for stainless steel.

**MGS Progetti** srl vous remercie pour avoir choisi votre nouveau robinet en acier inoxydable. Les robinets **MGS** entièrement brossés et polis à la main font ressortir la préciosité de l'acier inoxydable qui maintient sans limites de temps sa beauté naturelle. Il s'ensuit que les robinets **MGS** ne sont jamais identiques et que chaque pièce est pratiquement unique.

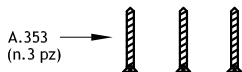
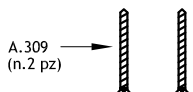
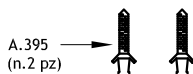
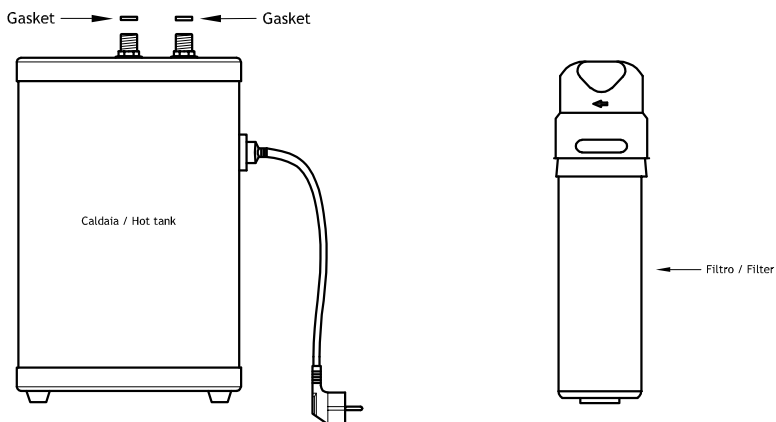
Votre robinet **MGS** sera toujours nouveau même après des années de service et il suffira pour le raviver de le polir de temps en temps avec un produit approprié.

## HOT TANK AND FILTER FITTING

Fit hot tank and filter to the wall using bosses and screws enclosed.

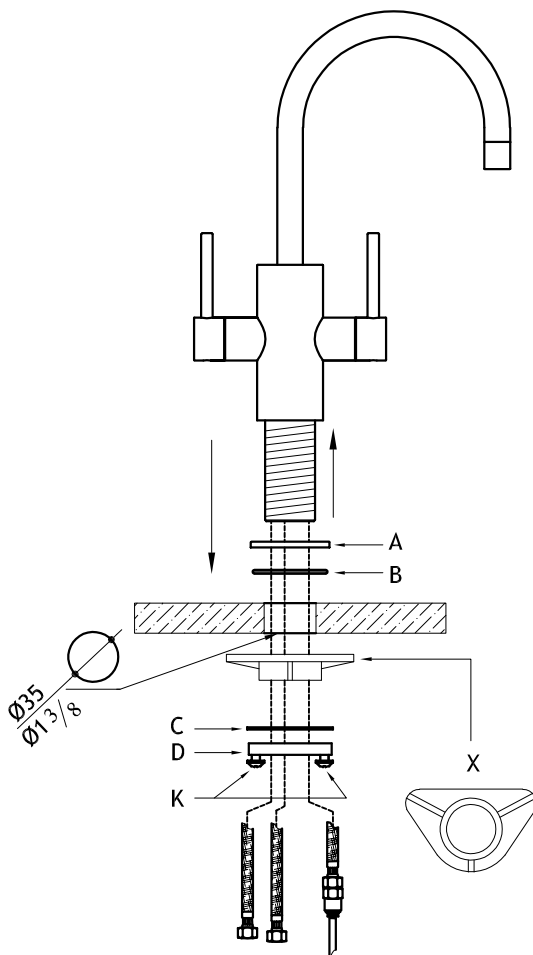
**IMPORTANT:**

The water filter must be replaced every six months or the guarantee will become invalid.




## ASSEMBLY INSTRUCTIONS


1. Flush through supply pipes.
2. Insert three flexible hoses through trim ring (A) and O-Ring (B).
3. Place tap onto the countertop.
4. Insert flexible hoses through reinforcement plate (X) (if used), through washer (C) and hand screw nut (D).
5. Fully tighten 2 screws (K).

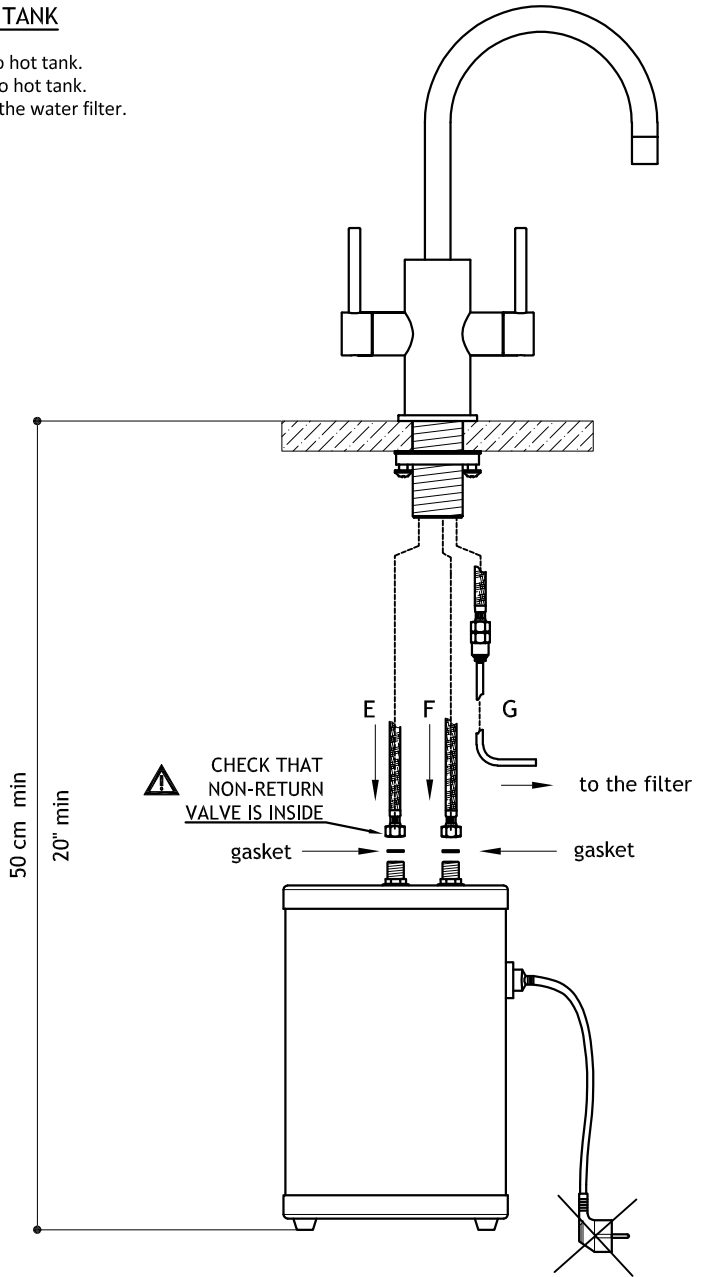


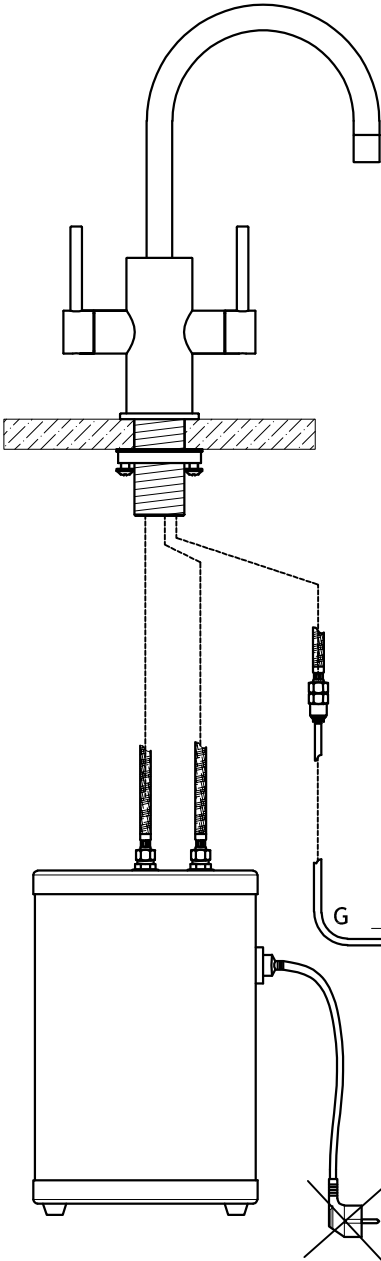
## CONNECTING TAP TO HOT TANK

1. Connect flexible hose (E) Red to hot tank.
2. Connect flexible hose (F) Blue to hot tank.
3. Tube (G) is to be connected to the water filter.

 Fix hot tank the lowest possible.

 Do not connect at this stage hot tank to AC power.





### CONNECTING TO THE FILTER

1. Connect tube (G) to the filter outlet by fully pushing it into the related quick connector.
2. Connect tube (H) to the filter input by fully pushing it into the related quick connector.

### CONNECTING FILTER TO THE WATER MAIN (COLD)

1. Connect threaded nipple of tube (H) to flexible hose (I).
2. Connect flexible hose (I) to cold water main.

Do not connect at this stage  
hot tank to AC power

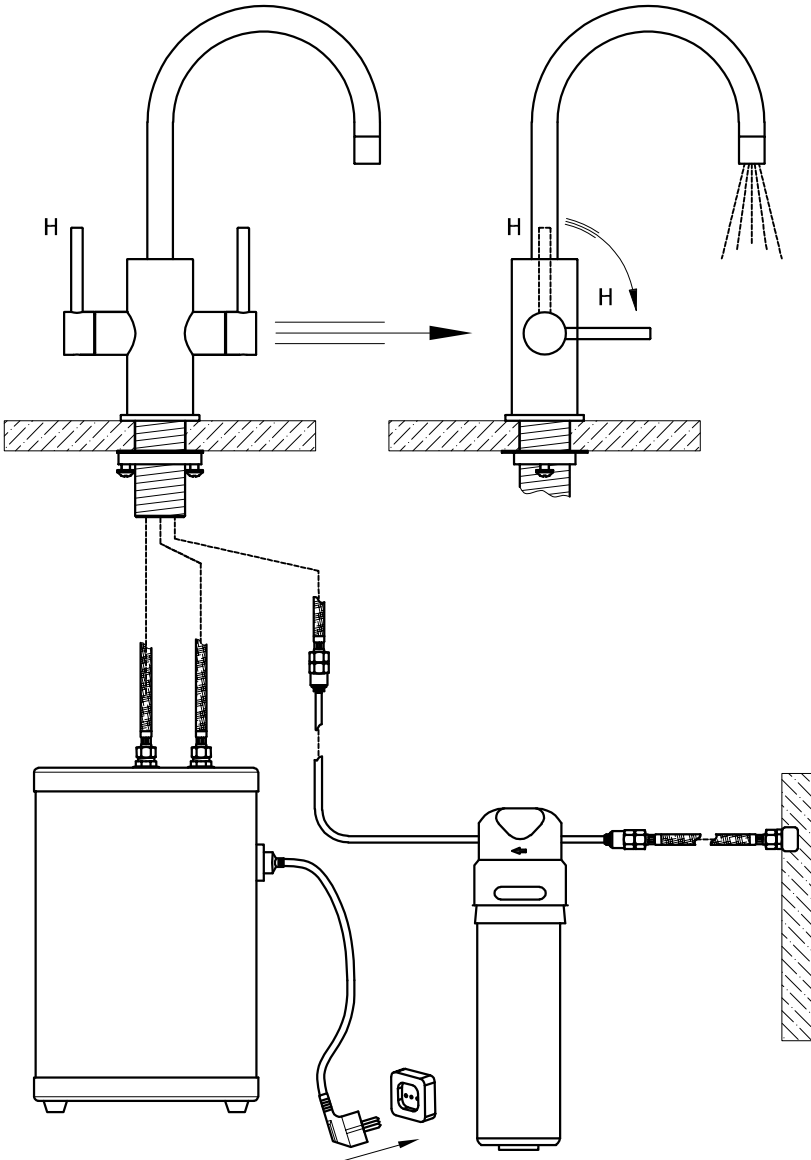


## CONNECTING HOT TANK TO AC POWER



1. Upon completing water connections, pull forwards hot water handle (H).
2. Wait until water is running out of the spout.
3. Only at this point and NOT BEFORE, plug in hot tank to AC power.

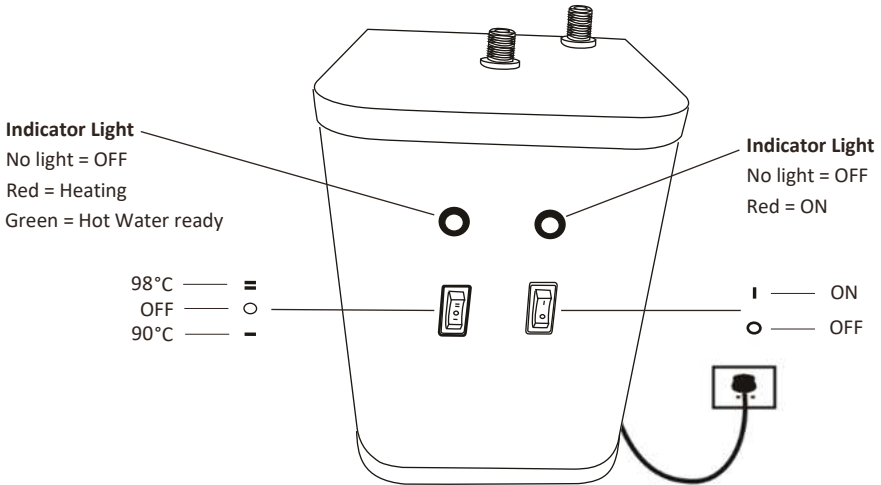
**WARNING:** Failing to follow these instructions will void the warranty.





## OPERATING HOT TANK

Turn on the button on the right, then set on the left button the temperature to 98°C/90°C.  
Set temperature will be reached in about 10 minutes.



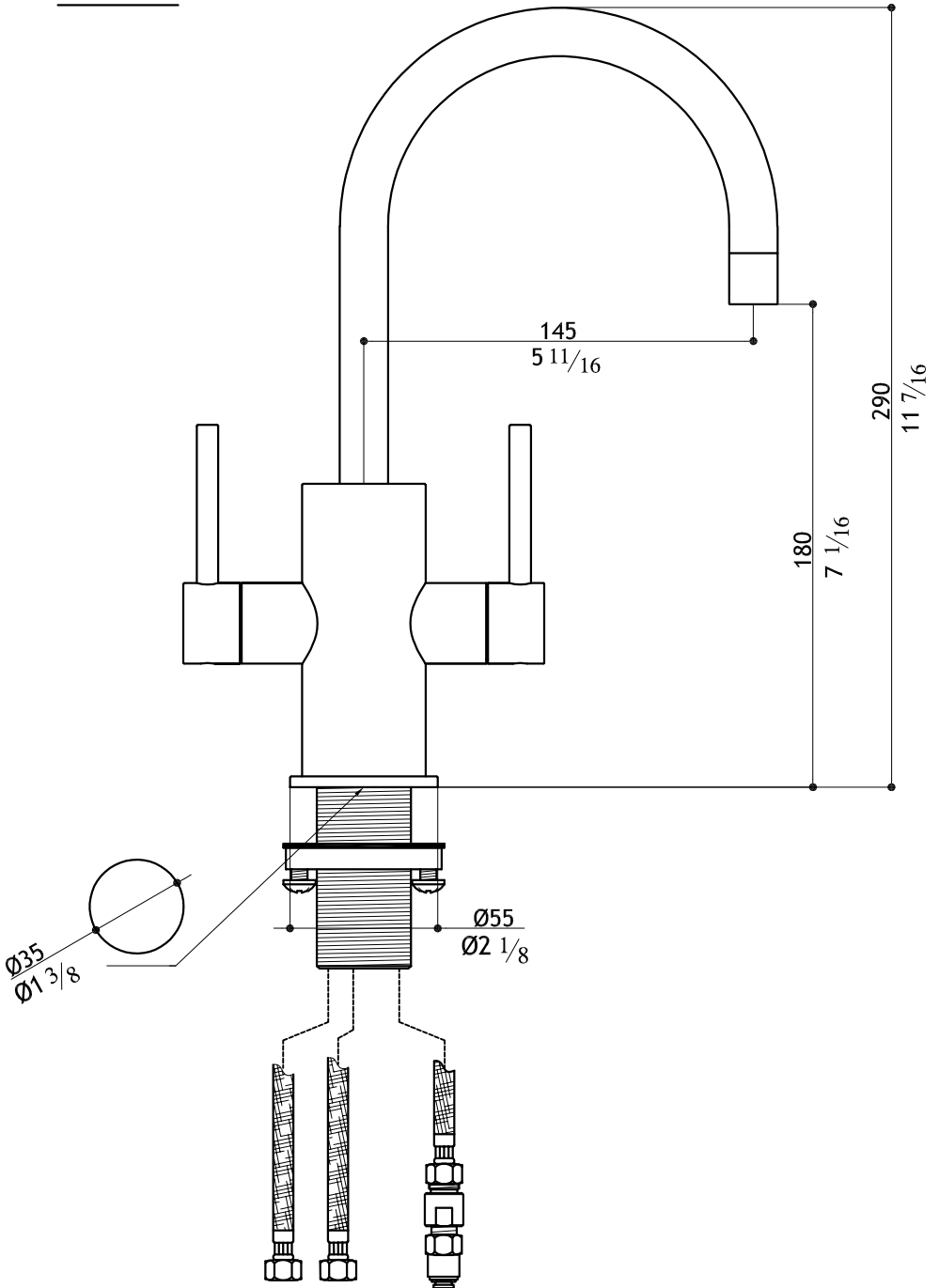
### **Notice:**

Upon first usage, once the hot tank is turned on water may drip from the spout. It's recommended to let 2 1/4 cups of water run to clear and prime the system. When using hot water dispenser, we recommend to let a minimum of 3/4 cup of water run.

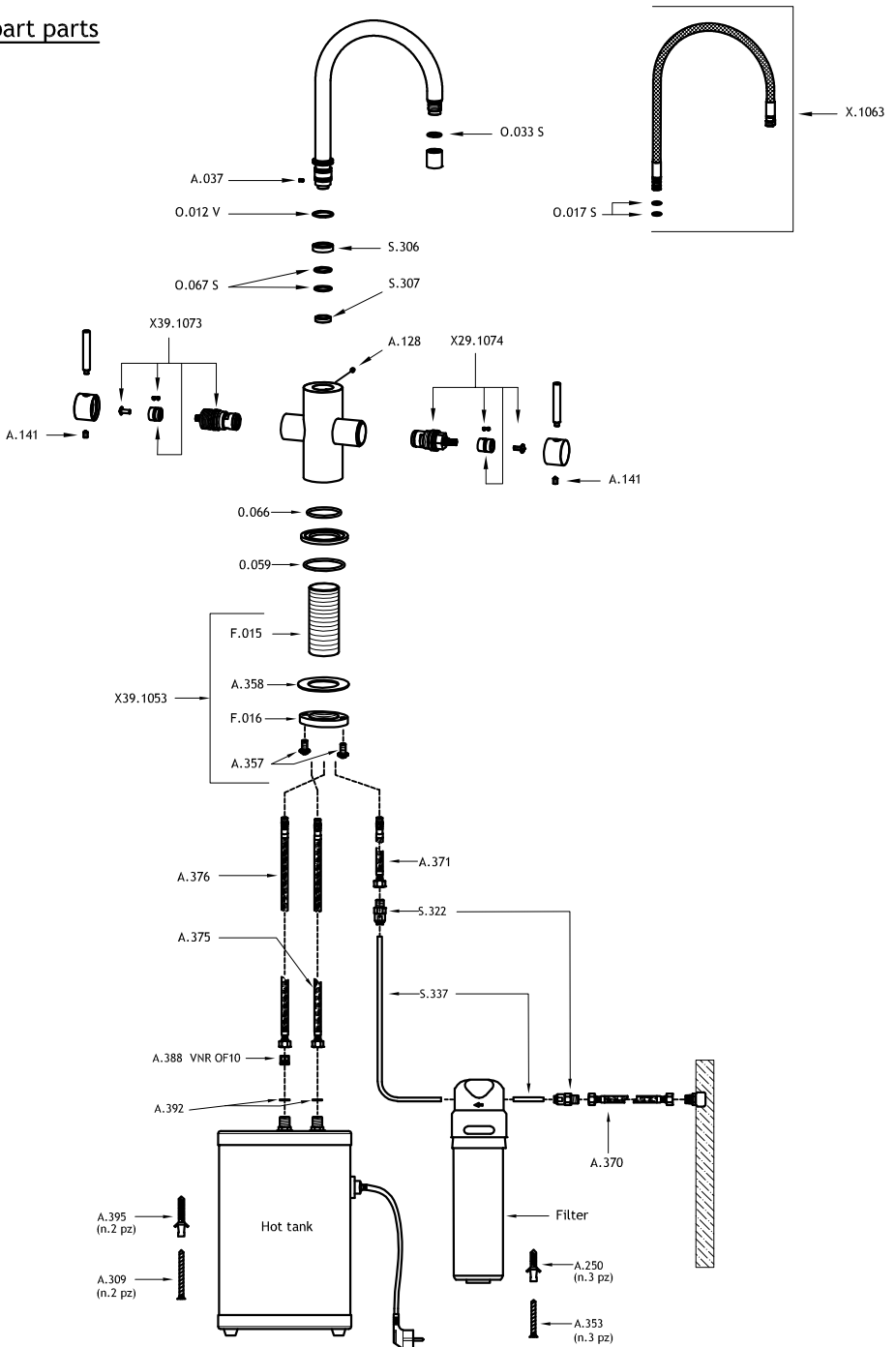
Short dripping from the spout can occur also after future usage due to compensation of the system. This is not to be considered a defect.

If the tank usage is taken to the limit the red light will re-appear on the tank as the amount of hot water has been used and the tank needs to refill and re-heat to the set temperature.

Dimensions



# Spart parts



### **Warranty**

MGS products are covered by a warranty of 5 years from purchasing date on all stainless steel parts and of 2 years on all other components. During this period, parts with construction defects in materials or workmanship will be replaced free of charge. This warranty will not respond in the case of faults caused by unsuitable or improper use, wrong installation, natural wear, improper or careless treatment, wrong usage of cleaning or maintenance products. MGS will not assume liability for labour expended, freight cost or damages accruing from the use of the material purchased from us. If material is defective, the limit of damage is the price of the defective material. Proof of purchase (original sales receipt) from the original consumer purchaser must be made available to MGS for all warranty claims. The warranty is not transferable and is extended solely to the original purchaser of the product.

### **Garantie**

Auf MGS Produkte gewähren wir Ihnen 5 Jahre Garantie ab Kaufdatum für alle Edelstahlteile und 2 Jahre für alle anderen Komponenten. Während diese Zeitraums werden alle Teile, die einen Konstruktionsfehler aufweisen, kostenlos ersetzt. Diese Garantie wird nicht gewährt bei unsachgemäßem Gebrauch, falscher Montage, nachlässiger Handhabung, falscher Anwendung von Reinigungsmitteln und fehlender oder mangelhafter Wartung. MGS ist nicht verantwortlich für eventuelle Eingriffskosten zu Hause des Kunden. Im Schadenfall entspricht die Rückerstattung des Schadens dem Preis des defekten Materials.

Die Garantie ist nicht übertragbar und der Käufer muss Kaufdatum und Originalquittung vorweisen.

### **Condizioni di garanzia**

Le parti in acciaio dei rubinetti MGS sono garantite per 5 anni, mentre gli altri componenti per 2 anni (cartucce, flessibili, ecc.). Durante il periodo di garanzia tutte le parti riportanti difetti dovuti a vizi di fabbricazione saranno sostituite gratuitamente. Questioni legate a un utilizzo anomalo o inadeguato, installazione difettosa, normale usura, uso negligente o errato, impiego di prodotti per la pulizia inadatti e a danni di trasporto non sono coperte dalla garanzia. MGS non è responsabile per eventuali costi di intervento al domicilio del cliente finale. In caso di difetto il limite del danno rimborsato è definito dal prezzo del materiale difettoso. L'acquirente per avere diritto alla garanzia deve dimostrare la data di acquisto con la prova di acquisto originale.

### **Garantie**

Les robinets MGS sont garantis pour une période de 5 ans pour toutes les parties en acier inoxydable et de 2 ans pour les autres composants. Pendant la période de garantie toutes les parties avec un défaut de construction seront remplacées gratuitement. La garantie n'a plus de validité dans les cas de mauvaise utilisation tels qu'installation défectueuse, usage impropre, mauvais nettoyage, etc. de même pour les dommages de transport et la normale usure. MGS n'est pas responsable pour les frais d'intervention au domicile du client final. Lorsqu'un robinet est défectueux la limite du défaut ne peut pas dépasser le prix de la pièce défectueuse. La garantie commence à la date d'achat du robinet et la facture originale est nécessaire afin d'établir la validité de la garantie.

MGS Progetti srl

Corso Milano 189 28883 Gravelona Toce (VB) Italy  
Tel.: +39 0323 865218 Fax: +39 0323 865215  
www.mgstaps.com E-mail: info@mgstaps.com