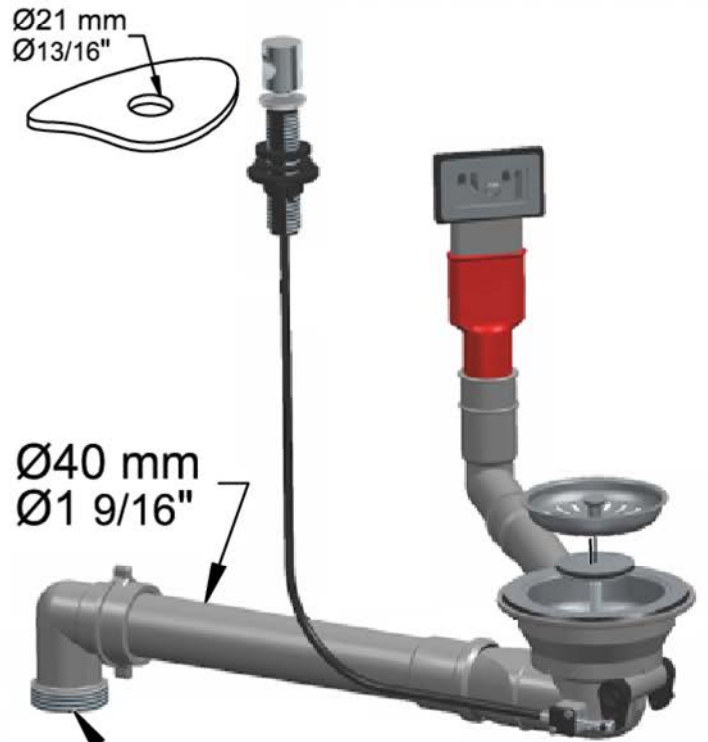


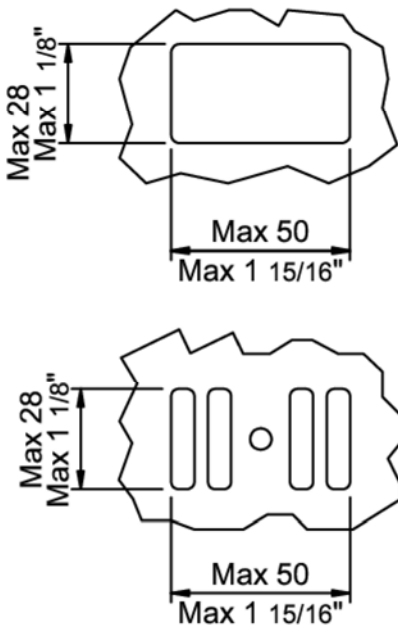
CONFORME A:  
CONFORMING TO:  
EN 274

POMOLO/PUSH-PULL KNOB TYPE S  
FORO/HOLE : Ø21  
CAVO/CABLE : MM 560

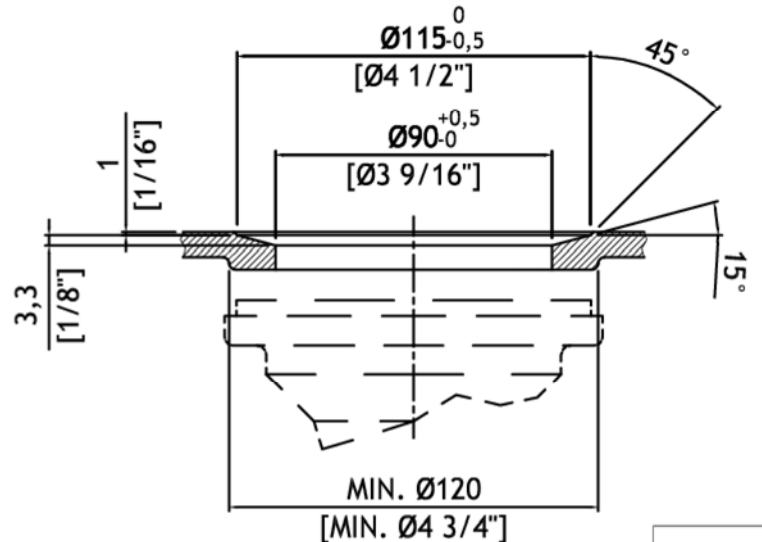


1 1/2" Gas  
tappo per chiusura uscita tp  
per lavelli senza troppo pieno  
plug for closing overflow exit  
for sink without overflow

FORO TPR /  
OVERFLOW HOLES



FORO SCARICO LAVELLO /  
SINK DRAIN HOLE



**MGS**  
MILANO

DK1