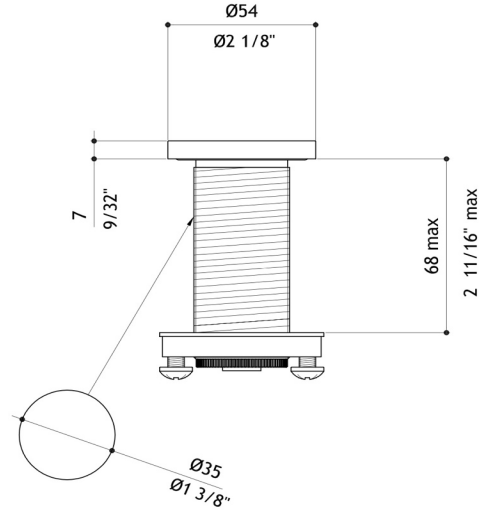


MGS Air Switch - AS1



Specifications:

- **Marine Grade Stainless steel AISI316L**
- Deck mounted
- High precision machining: all parts are perfectly assembled
- Areas of application: Indoor & outdoor

Available Finishes:



Stainless Steel



Black Steel



Titanium



Bronze



Light Gold

Engineered in Switzerland



Made in Italy