

BUILT-IN THERMOSTATIC SHOWER MIXERS INCL. WATER OUTLET WITH HOOK

ROUGH IN VALVES

Installation manual



MB / PE / ER - 455 SV9INC.311 US



MB / PE / ER - 456 SV9INC.312 US

GENERAL FEATURES

This mixer is suitable for all water heating systems provided it is installed correctly by a competent and qualified installer.

OPERATING SPECIFICATIONS

Hot water supply temperature:

Maximum: 85°C (185° F)

Recommended: 65°C (149° F)

Minimum: 5°C (41° F)

Minimum difference between hot and mixed temperature 10°C (50° F)

The temperature of the inlet hot water must be higher than the maximum mixed water temperature required from the outlet.

Working pressures

Maximum: 5 bar (145 psi)

Minimum: 0,1 bar (1,5 psi)

Hot and cold operating pressures should be kept as balanced as possible in order to maintain maximum efficiency.

When the supply pressure is higher than 5 bar (72 psi) a pressure reducing valve must be installed.

TECHNICAL DATA

The mixer is supplied with covers for the installation at a depth from 2 1/8" to 2 3/4" from the centre of the mains tube to the finished wall.

The temperature control knob is pre-set from the manufacturer at 38°C (100° F) with stop at 44°C +/-2°C. (111° F +/- 36° F)

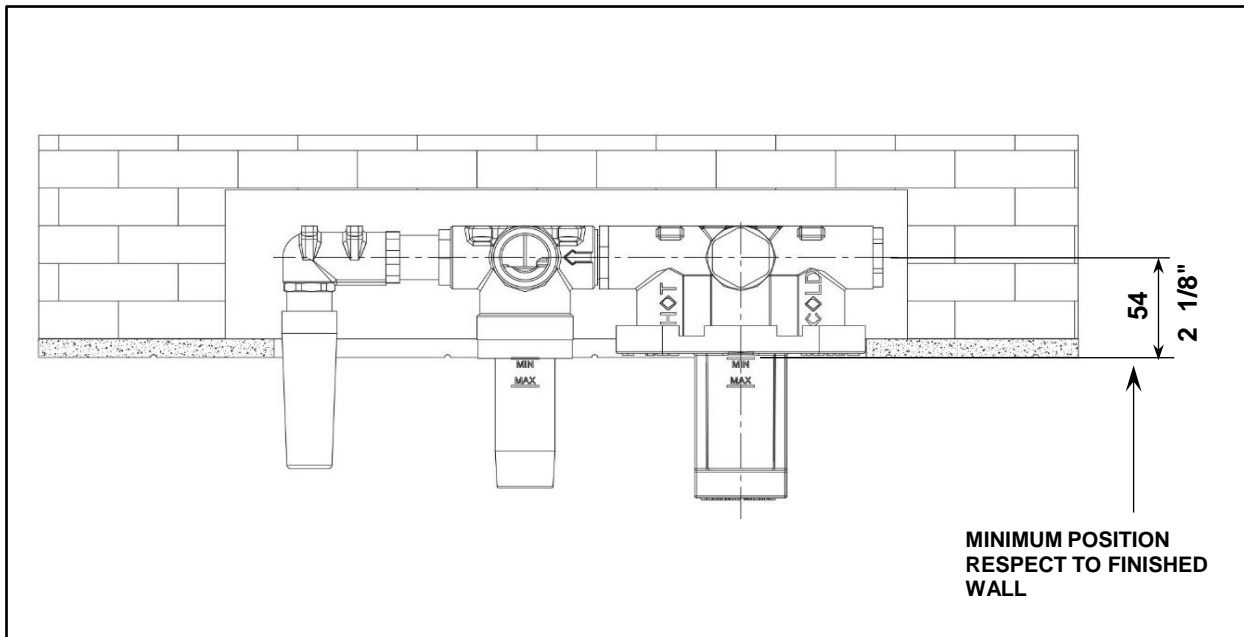
The mixer ports are supplied with female threads NPT 3/4".

PLUMBING RECOMMENDATIONS

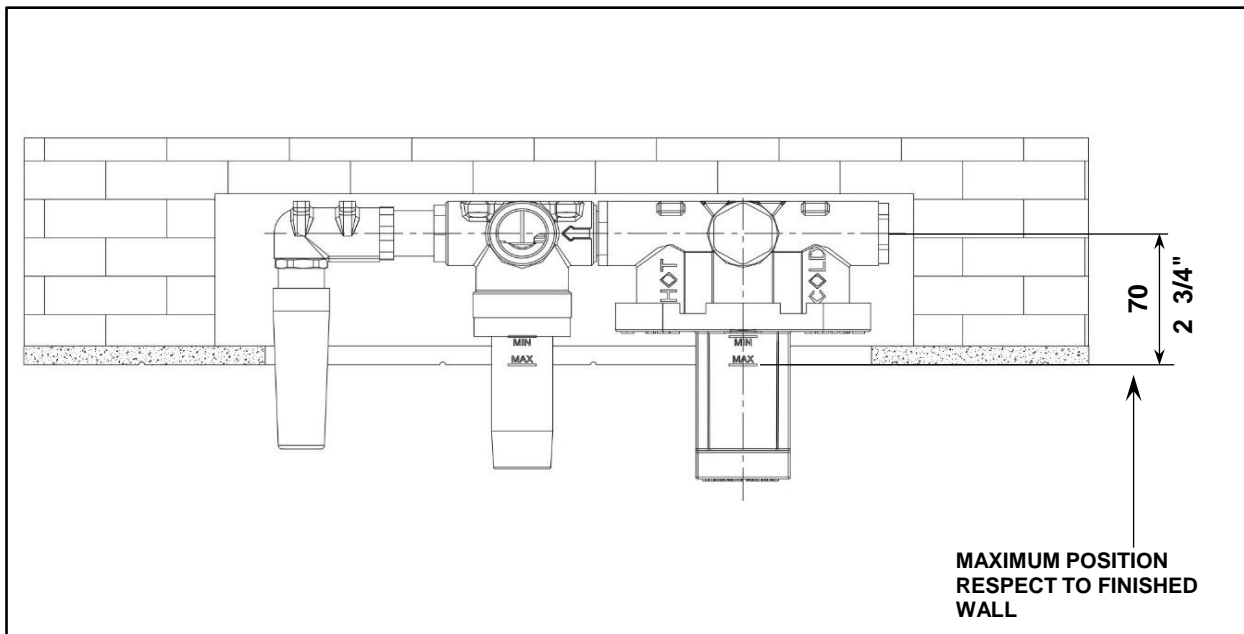
- ◆ An independent hot and cold water supply is required for the shower system.
- ◆ The recommended pipe work should be minimum 7/8" for low pressure systems.
- ◆ If more than one shower mixer is installed, the minimum feed should be 1 1/8") (ensure adequate end constant supply of both hot and cold water)
- ◆ **READ CAREFULLY THIS MANUAL BEFORE USING YOUR MIXER AND KEEP IT AT HAND FOR FUTURE REQUIREMENTS**

INSTALLATION

Keep the thickness of final finishing material (tiles, marble, etc.) into consideration.

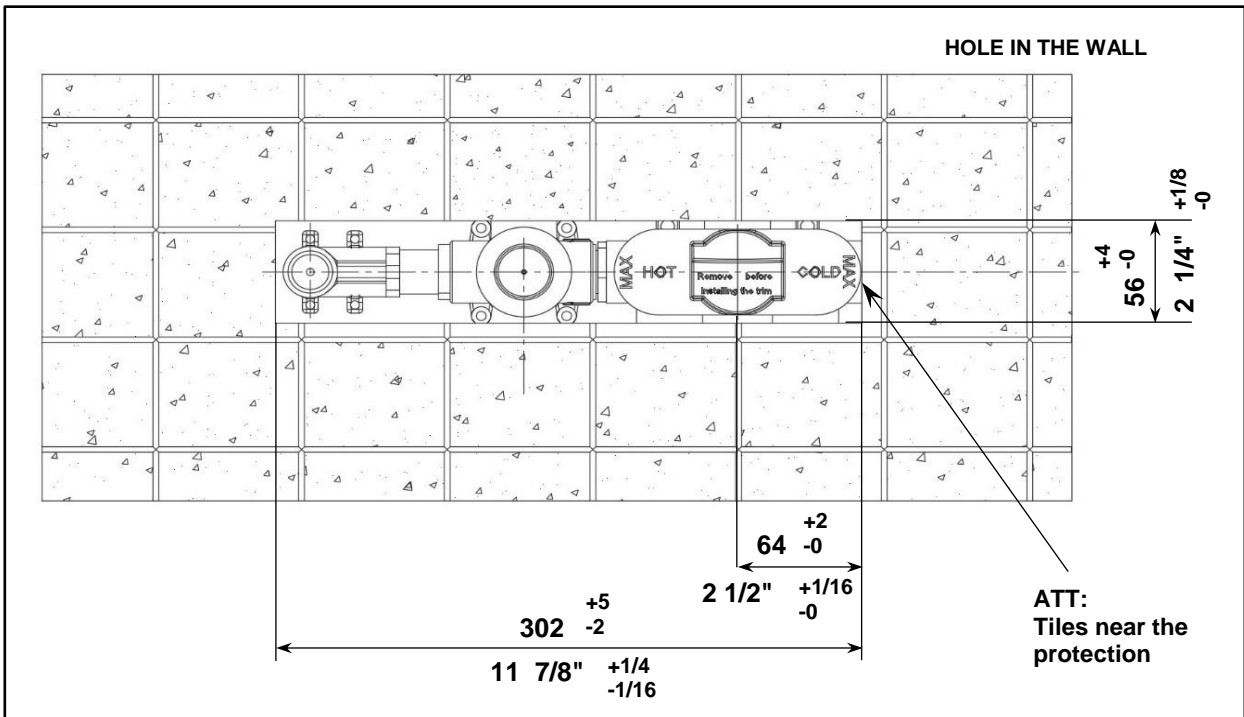
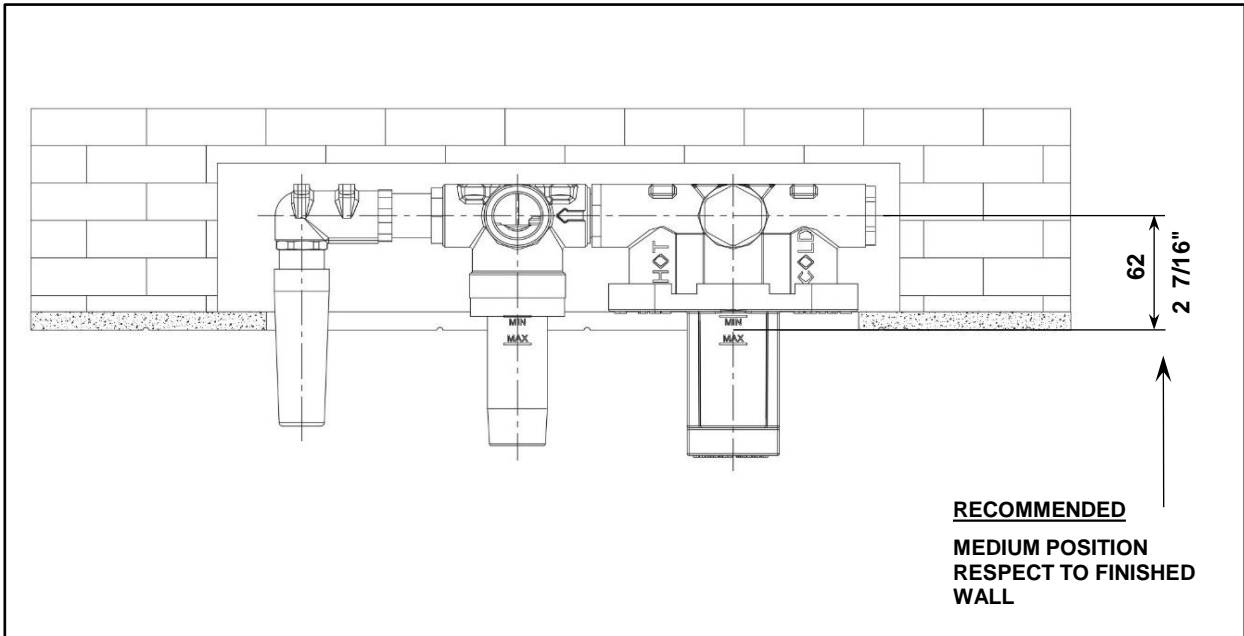


Keep the thickness of final finishing material (tiles, marble, etc.) into consideration.

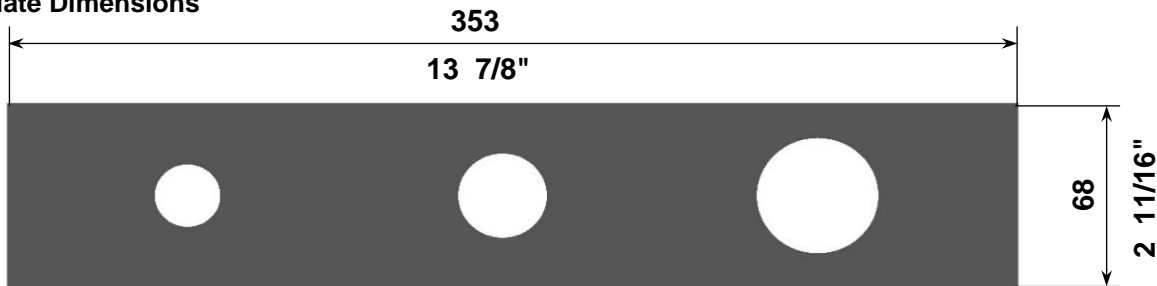


INSTALLATION

Keep the thickness of final finishing material (tiles, marble, etc.) into consideration.



Trim Plate Dimensions

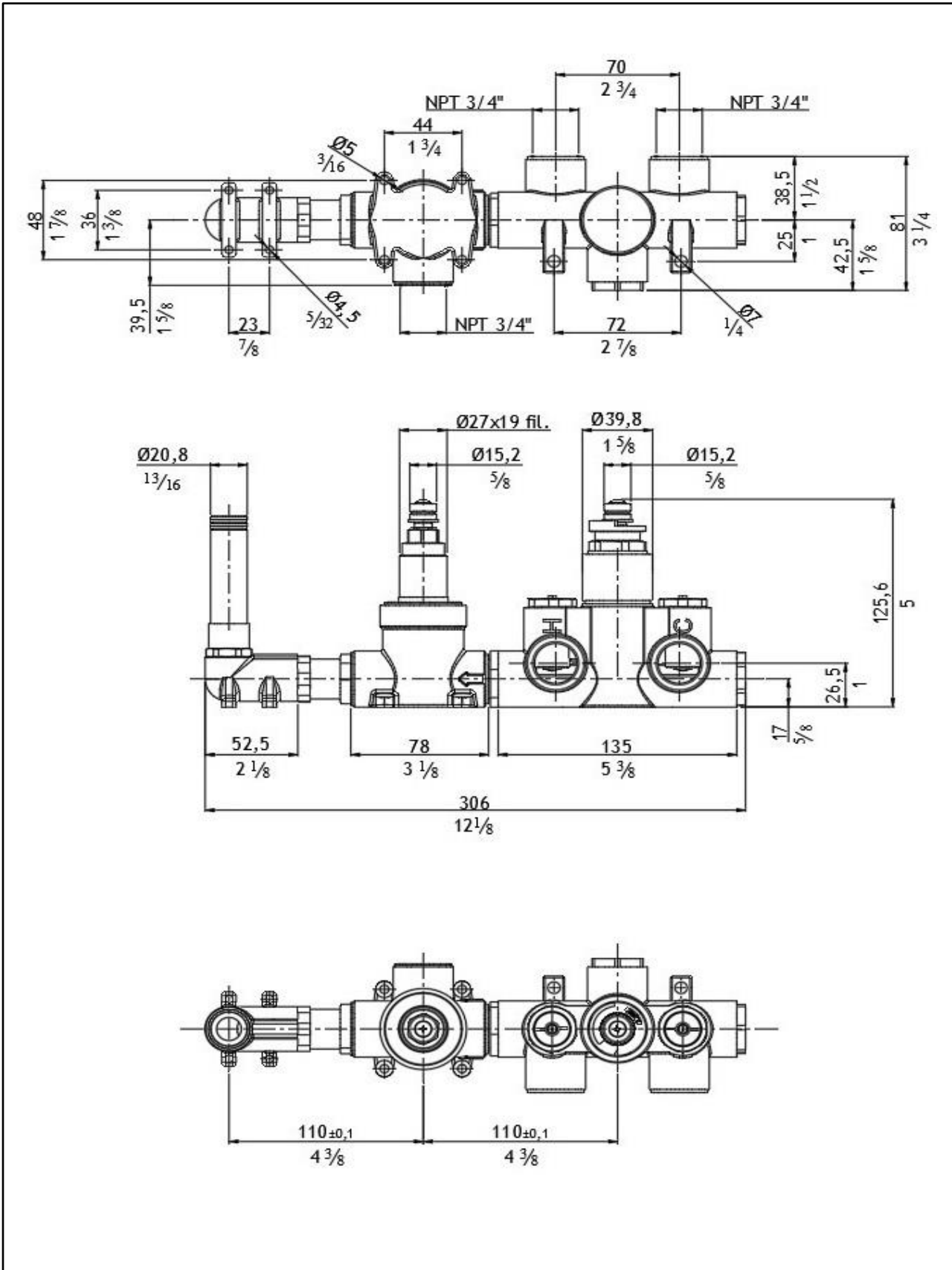


NOTE:
Same distances for models MB455 - MB456 and PE455 - PE456
Only handle design changes

DIMENSIONS

Rough-in valve dimensional drawing

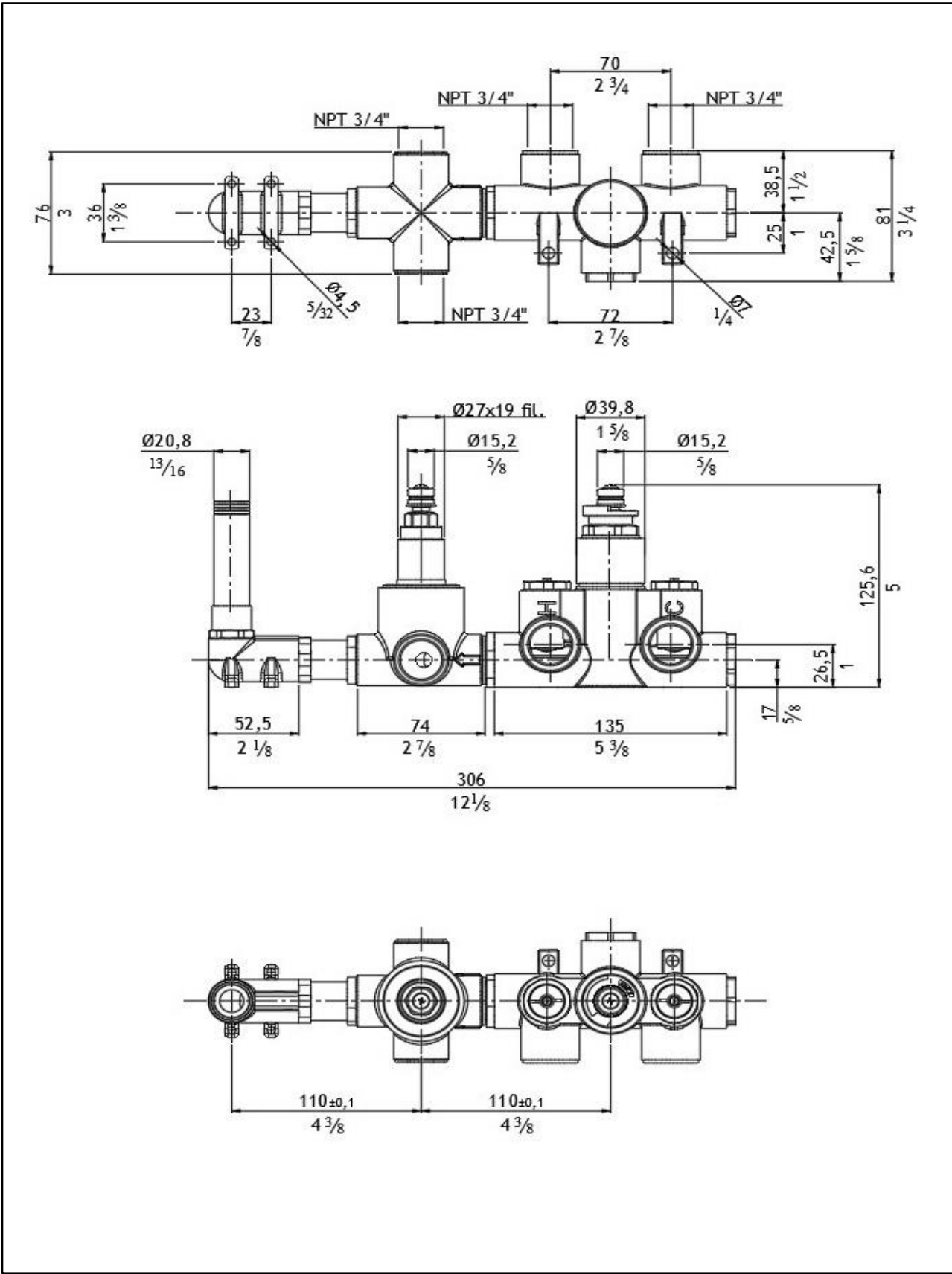
MB / PE / ER - 455 SV9INC.311 US



DIMENSIONS

Rough-in valve dimensional drawing

MB / PE / ER - 455 SV9INC.312 US



Warranty

MGS products are covered by a warranty of 5 years from purchasing date on all stainless steel parts and of 2 years on all other components. During this period, parts with construction defects in materials or workmanship will be replaced free of charge. This warranty will not respond in the case of faults caused by unsuitable or improper use, wrong installation, natural wear, improper or careless treatment, wrong usage of cleaning or maintenance products. MGS will not assume liability for labour expended, freight cost or damages accruing from the use of the material purchased from us. If material is defective, the limit of damage is the price of the defective material. Proof of purchase (original sales receipt) from the original consumer purchaser must be made available to MGS for all warranty claims. The warranty is not transferable and is extended solely to the original purchaser of the product.

Garantie

Auf MGS Produkte gewähren wir Ihnen 5 Jahre Garantie ab Kaufdatum für alle Edelstahlteile und 2 Jahre für alle anderen Komponenten.

Während dieses Zeitraums werden alle Teile, die einen Konstruktionsfehler aufweisen, kostenlos ersetzt. Diese Garantie wird nicht gewährt bei unsachgemäßem Gebrauch, falscher Montage, nachlässiger Handhabung, falscher Anwendung von Reinigungsmitteln und fehlender oder mangelhafter Wartung. MGS ist nicht verantwortlich für eventuelle Eingriffskosten zu Hause des Kunden. Im Schadenfall entspricht die Rückerstattung des Schadens dem Preis des defekten Materials. Die Garantie ist nicht übertragbar und der Käufer muss Kaufdatum und Originalquittung vorweisen.

Condizioni di garanzia

Le parti in acciaio dei rubinetti MGS sono garantite per 5 anni, mentre gli altri componenti per 2 anni (cartucce, flessibili, ecc.). Durante il periodo di garanzia tutte le parti riportanti difetti dovuti a vizi di fabbricazione saranno sostituite gratuitamente.

Questioni legate a un utilizzo anomalo o inadeguato, installazione difettosa, normale usura, uso negligente o errato, impiego di prodotti per la pulizia inadatti e a danni di trasporto non sono coperte dalla garanzia.

MGS non è responsabile per eventuali costi di intervento al domicilio del cliente finale. In caso di difetto il limite del danno rimborsato è definito dal prezzo del materiale difettoso. L'acquirente per avere diritto alla garanzia deve dimostrare la data di acquisto con la prova di acquisto originale.

Garantie

Les robinets MGS sont garantis pour une période de 5 ans pour toutes les parties en acier inoxydable et de 2 ans pour les autres composants.

Pendant la période de garantie toutes les parties avec un défaut de construction seront remplacées gratuitement.

La garantie n'a plus de validité dans les cas de mauvaise utilisation tels qu'installation défectueuse, usage impropre, mauvais nettoyage, etc... De même pour les dommages de transport et la normale usure. MGS n'est pas responsable pour les frais d'intervention au domicile du client final. Lorsqu'un robinet est défectueux la limite du défaut ne peut pas dépasser le prix de la pièce défectueuse.

La garantie commence à la date d'achat du robinet et la facture originale est nécessaire afin d'établir la validité de la garantie

MGS Progetti srl

Corso Milano 189 28883 Gravellona Toce (VB) Italy

Tel.: +39 0323 865218 Fax +39 0323 865215

www.mgstaps.com E-mail: info@mgstaps.com