



MB455 – MB456 – PE455 – PE456

Stainless Steel Built-in Mixer Trim Parts

Installation Maintenance & Care





Dear Customer,

We thank you for choosing our product.

MGS Solid Stainless Steel faucets are manufactured in Italy by expert artisans. The product has been assembled, inspected and packaged with maximum attention and care.

The Matte and Polished finishes are obtained by hand polishing: a skilled touch to enhance the natural beauty of this noble metal.

All products are therefore alike, but not identical:
a synonym of exclusivity.

We use high grade AISI316L marine stainless steel that does not require any protective finish to be applied to the surface. Following the simple care instructions will allow you to keep your **MGS** faucet beautiful for a lifetime.

INSTALLATION WARNING

1. Observe all local plumbing codes.
2. Inspect water supplies for signs of damage. Replace if necessary.
3. Flush through the supply pipes.

Tools



#2, #2,5 mm Allen Key



Cutter



Silicone

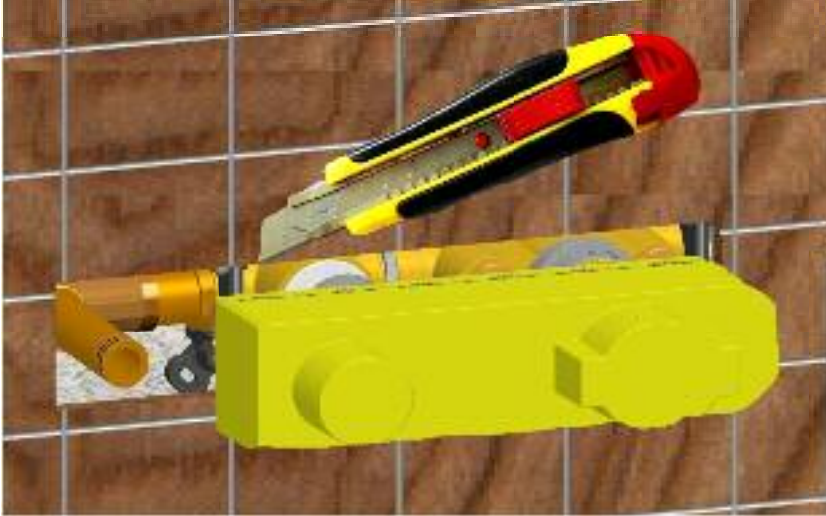
Technical data

| | |
|------------------------------------|--------------------------|
| Operating Pressure: | max 145 PSI (10 bar) |
| Recommended operating pressure: | 14 to 60 PSI (1 - 4 bar) |
| Maximum hot water temperature: | 185 °F (85°C) |
| Recommended hot water temperature: | 149 °F (65°C) |

TRIM ASSEMBLY

Removing protective covers

Remove plastic cover from outlet nipple and cut off plastic box along the wall level.



Temperature check - Temperature setting ring (cam)

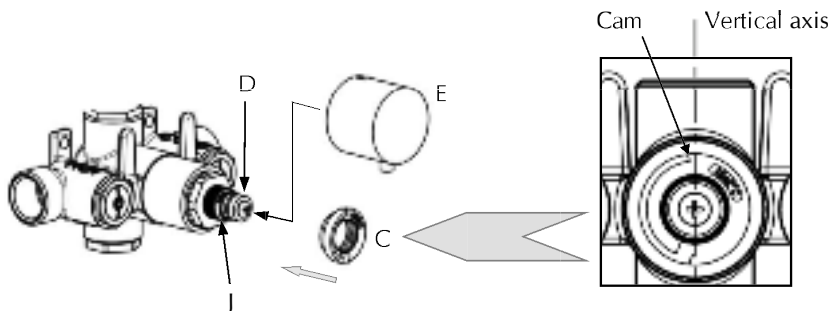
Rotate insert D by using handle E for setting temperature at 38°C.
(check temperature with a thermometer).

Remove handle and insert cam C onto shaft J.

Assemble handle E with reference line in vertical position.

Fully rotate handle E counterclockwise and check that water temperature is around 42°C.

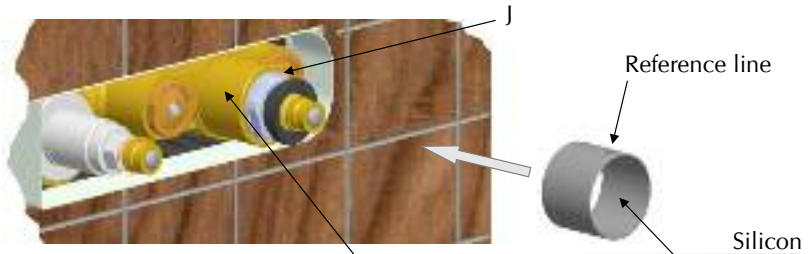
Remove handle E for fitting other trim parts as per further instructions.



Fitting trim ring with reference line marking

After checking that the installation depth of rough-in is correct and that no extensions are required, proceed with fitting the trim ring onto valve body **J** by using the Silicone material supplied in the carton and keeping reference line on the top at 12:00.

Any traces of Silicone after drying can be removed with a blade.



ATTENTION:

In the case that a knob extension kit is required, trim ring must be fitted onto the extension part.

Fitting trim plate and other external parts

Seal with Silicone the gap between plastic box and finished wall **X**.

Apply Silicone on the rear of trim plate **1**.

Fit trim plate **1** onto threaded shaft **2** and ring **3**.

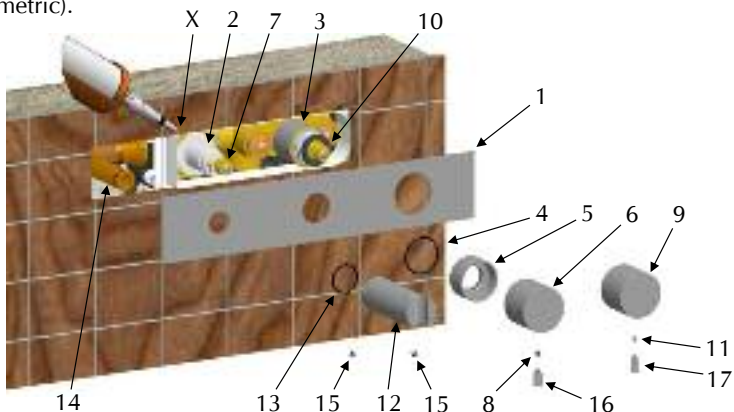
Screw adaptor **5** with O-ring **4** onto threaded shaft **2** until trim plate is in contact with finished wall.

Fit diverter handle **6** onto insert **7** and rotate until set screw is at the bottom.

Tighten set screw **8** with Allen key N°2 (metric) and fully screw lever **16** (only for MB serie).

Fit mixer knob **9** onto insert **10** keeping reference line upwards (12:00) and tighten set screw **11** with Allen key N°2 (metric) and fully screw lever **17** (only for MB serie).

Fit outlet with hook **12** with O-ring **13** onto shaft **14** and tighten set screws **15** with Allen key N° 2,5 (metric).

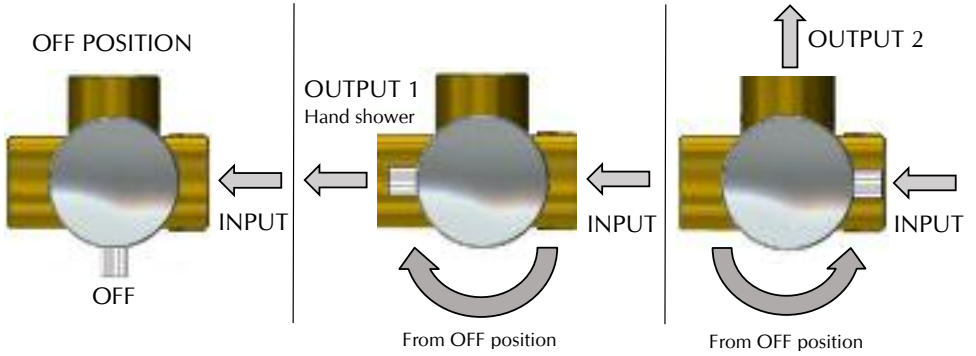


NOTE:

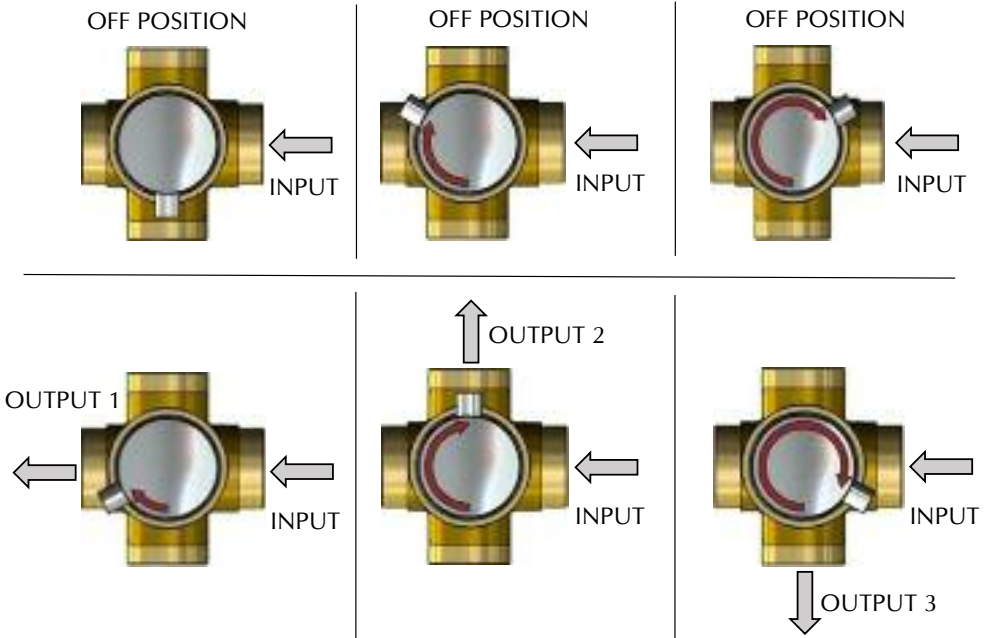
Same procedure for models PE455 - PE456: handles design changes and no levers.

FUNCTIONAL SCHEMES

2 WAY DIVERTER (MB455 – PE455)



3 WAY DIVERTER (MB456 – PE456)



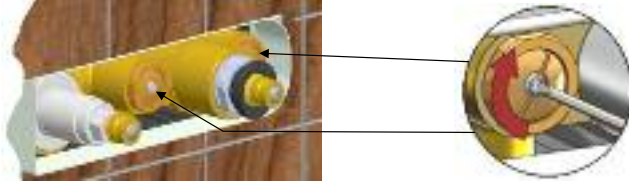
MAINTENANCE

Replacement/maintenance thermostatic cartridge and valve housings

Before starting maintenance, remove handles and trim plate (see instructions "Fitting Trim Parts")

Thermostatic cartridge

- 1) Close water mains by turning 7 times the screw on valve housings with a screwdriver, for isolating thermostatic cartridge.



- 2) Remove ring 1.
- 3) Unscrew thermostatic cartridge 2 counterclockwise with a key N° 30 mm.
- 4) Remove thermostatic cartridge 2 and clean its filters under flushing water or leave it to soak in vinegar if affected by limescale.

Lubricate O-ring gaskets or replace them if damaged:

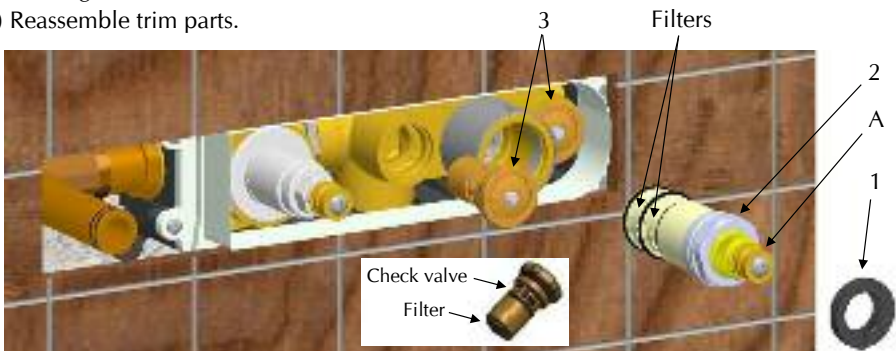
2 x OR 2100 mm 25,12 x 1,78 + 1 x OR 2106 mm 26,7 x 1,78

Valve housings

- 1) Close water mains
- 2) Unscrew valve housings 3 turning counterclockwise with a key 27 mm.
DO NOT USE A SCREWDRIVER
- 3) Remove valve housings and wash filters under flushing water or leave them to soak in vinegar if affected by limescale.
- 4) Close with a max. torque of 8-10 Nm or 70-80 lbf. In case of replacement.

Position of limiting ring

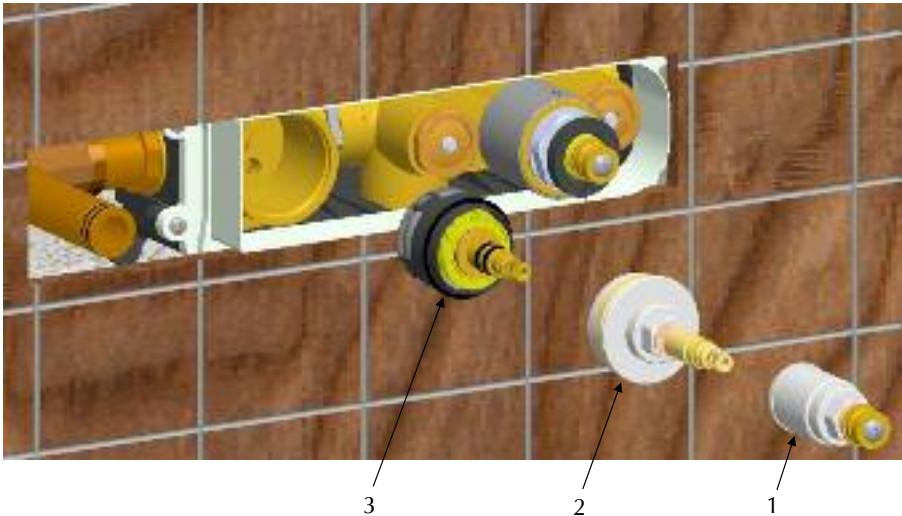
- 1) Position limiting ring 1 as indicated in picture.
- 2) Use handle for rotating insert A until reaching pre-set temperature of 38°C to be checked with a thermometer.
- 3) Turn right for cold water and left for hot.
- 4) Reassemble trim parts.



Replacement/maintenance diverter cartridge

Before starting maintenance, remove handles and trim plate (see instructions "Fitting Trim Parts")

- 1) Close water mains.
- 2) Unscrew threaded shaft **1**
- 3) Unscrew the flange **2** counterclockwise, with a wrench.
- 4) Remove diverter cartridge **3**.
- 5) Before replacing cartridge, clean and lubricate its seating inside housing body.
- 6) Replace cartridge **3**.
 - positioning its two pins in the seatings.
 - positioning the pin in its seating.
- 7) Screw back into position, flange **2** and threaded shaft **1**.
- 8) Reassemble trim parts. (see instructions "Fitting Trim Parts")



Cleaning the product

After use, clean and dry product with a damp, soft microfiber cloth.

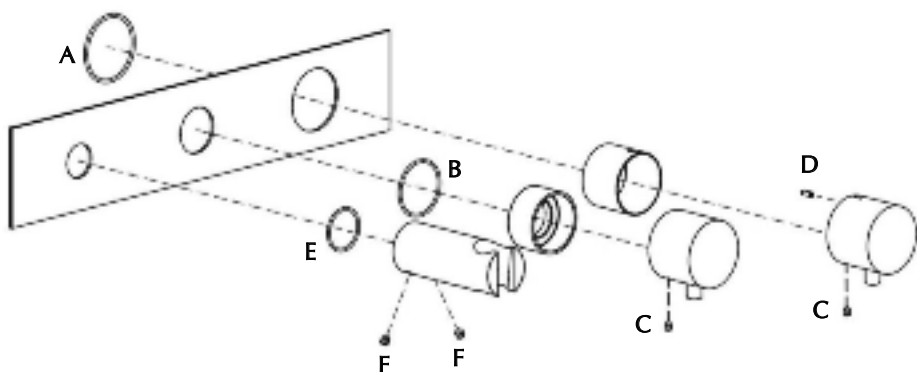
Do not use abrasive detergents or products that may damage the surface, chemical, acid or corrosive cleaning products.

If product is not being used for long time during winter period, close water supply and empty the mixer for avoid damages to the cartridge due to freezing conditions.

SPARE PARTS

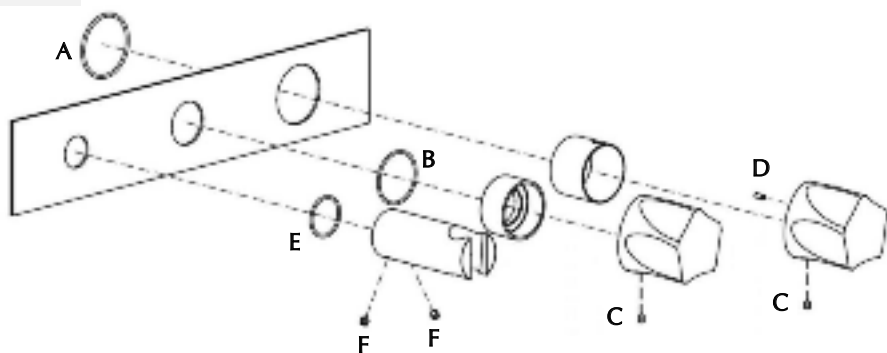
MB455

MB456



PE455

PE456



A = O.060

B = O.052

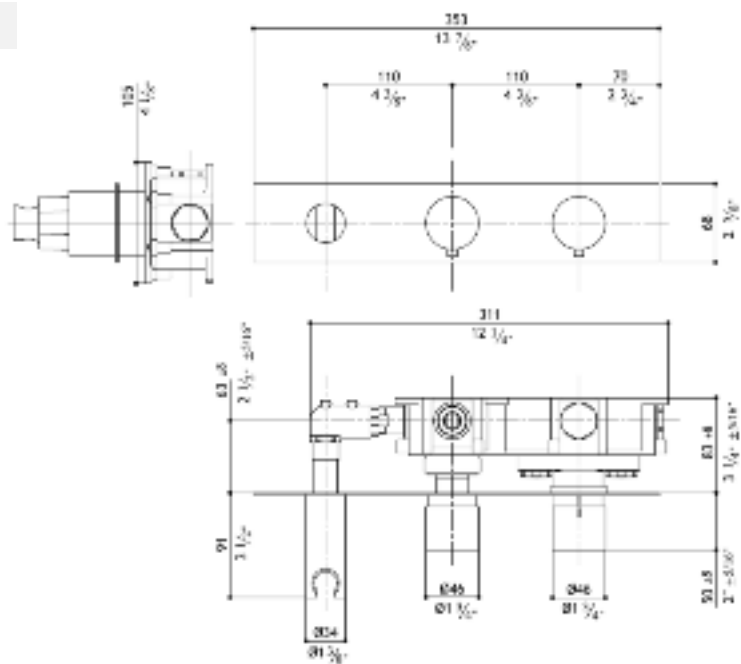
C = A.128

D = A.287

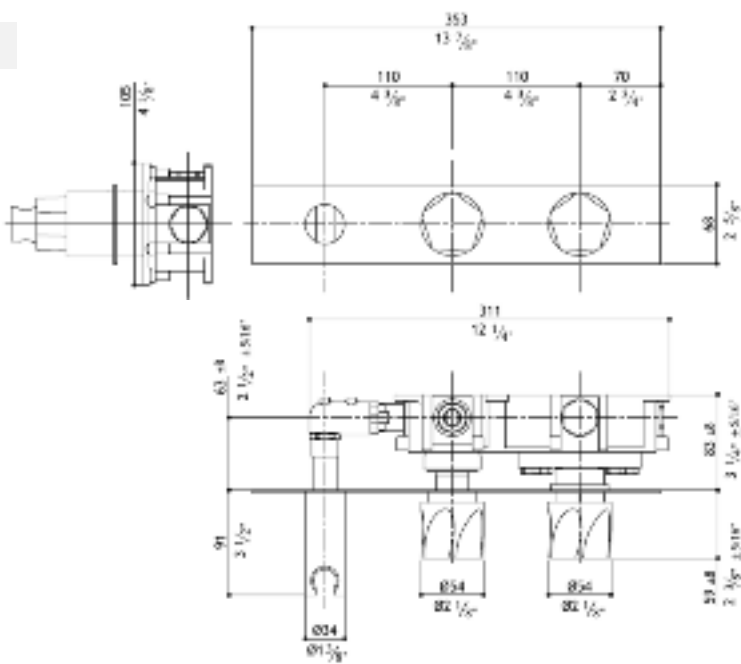
E = O.021

F = A.090

MB455



MB456



CARE & MAINTENANCE

Matte and Polished Stainless steel

In order to preserve the finish of your product, we recommend regular cleaning with a soft wet cloth. For regular cleaning it is not necessary to use detergents. In case of need, we recommend the use of a mild detergent or even better, a specific stainless steel detergent. In this case, please follow the specific instructions of the detergent manufacturer. When using a detergent rinse well with water immediately after cleaning, until all detergent is removed from the surface. Dry with a soft cloth.

PVD finishes (Black Steel / Titanium / Rose Gold / Gold)

PVD technology is used to create a smooth, resistant and long lasting finish. A soft wet cloth is sufficient for daily cleaning.

For resistant stains and fingerprints we recommend the use of a diluted mild soap and water solution to be applied using a soft cloth. Rinse thoroughly after cleaning. In order to avoid water stains we recommend to dry the surface with a soft cloth.

As it is not a coating but the result of a chemical reaction, a characteristic of PVD is that objects of different shapes and dimensions can absorb color differently, resulting in slight color variations. These are not to be considered defects.

All finishes:

DO NOT use bleach, caustic, ammonia or acid based cleaning materials or detergents containing chloride, or any other strong household cleaning products, even if organic. Even vapors of such products could damage the chemical balance of the stainless steel surface. When using strong chemical products in the room, we recommend to air it out. DO NOT use abrasive materials, cleaning pads, scouring sponges, files or other hard objects. DO NOT use oily rags or greasy cloths when wiping the product surface.

Outdoor installation

Marine grade stainless steel is ideal for outdoor installation and it is extremely resistant to oxidation. Nevertheless, it is not oxidation proof or stain proof.

In order to maintain the long lasting beauty of the stainless steel surface it is necessary to regularly clean it. This is particularly important in marine environment where saline deposits over time will affect the surface and cause oxidation. In such conditions the surface must be cleaned more frequently in order to be preserved.

WARRANTY

MGS products installed in a residential indoor application are covered by a limited 5 year functional and finish warranty from purchasing date. During this period, parts with construction defects in material or workmanship will be replaced free of charge.

This warranty is subject to the warranty conditions and limitations as set forth below.

This warranty will not cover faults caused by unsuitable or improper use, incorrect installation, natural wear, improper or careless treatment, incorrect usage of cleaning or maintenance products.

MGS will not assume liability for labor expended, freight cost or damages accruing from the use of the material purchased from us. If material is defective, MGS will either supply the replacement part or it will reimburse the price of the defective material.

Proof of purchase (original sales receipt) from the original consumer purchaser must be made available to MGS for all warranty claims. The warranty is not transferrable and is extended solely to the original purchaser of the product.

MGS products installed outdoor and/or for commercial applications are covered by a 2 year functional and finish warranty from purchasing date.

This warranty applies to MGS faucets installed in USA or Canada.

MGS Progetti srl

Corso Milano, 189 • 28883 Gravellona Toce (VB) • Italy

www.mgstaps.com • E-mail: info@mgstaps.com • Tel.: +39 0323 865218 • Fax: +39 0323 865215