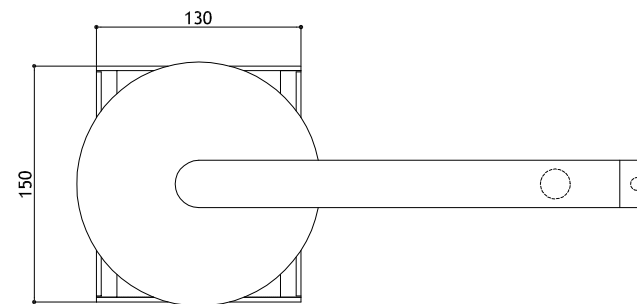


⚠ Uscita acqua miscelata
Mixed water output



⚠ Fasatura pz. finito su scatolato
Spout respect to built-in box

MGS Progetti srl

Corso Milano, 189 - 28883 Gravellona Toce (VB) - Italy

www.mgstaps.com - E-mail: info@mgstaps.com - Tel.: +39 0323 865218 - Fax: +39 0323 865215

Scatolato sotto filo inferiore
pavimento finito
Built-in box must be under
finished floor

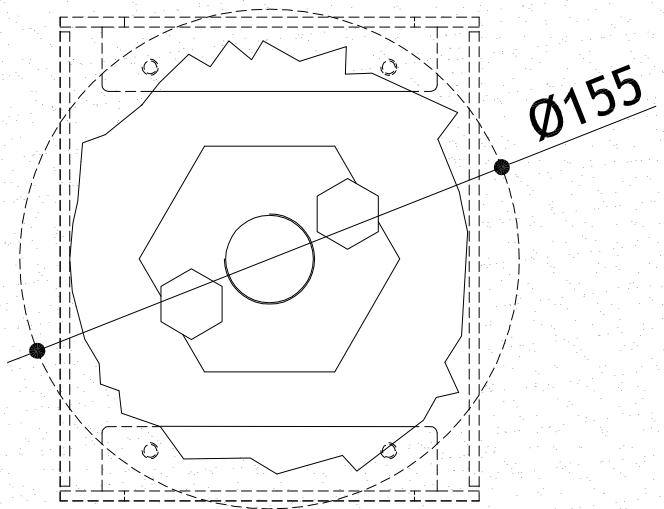
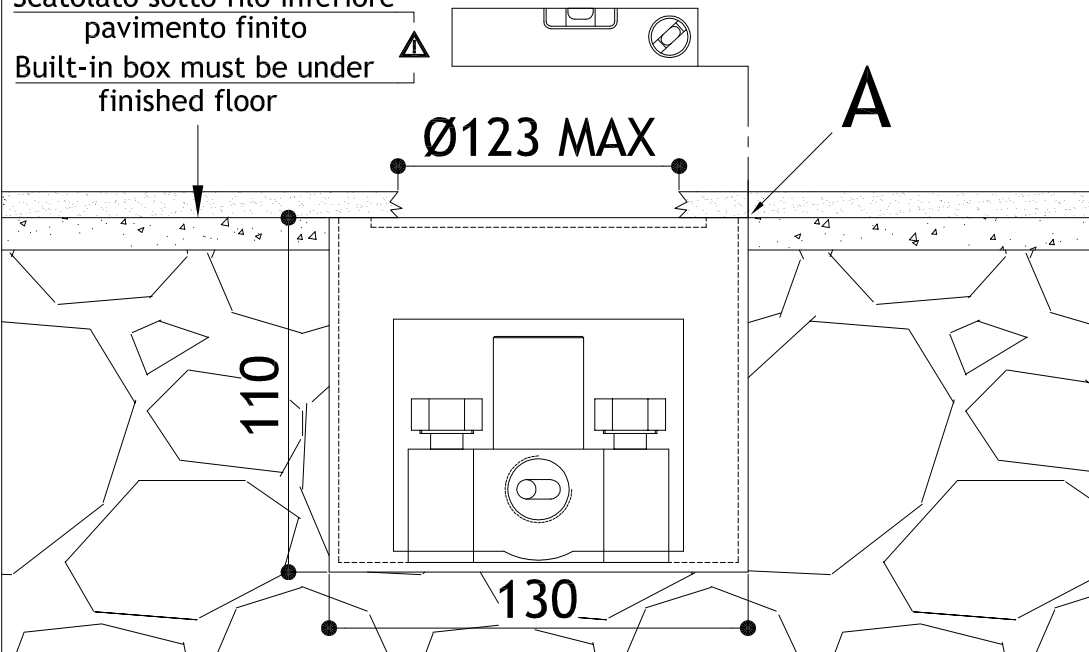
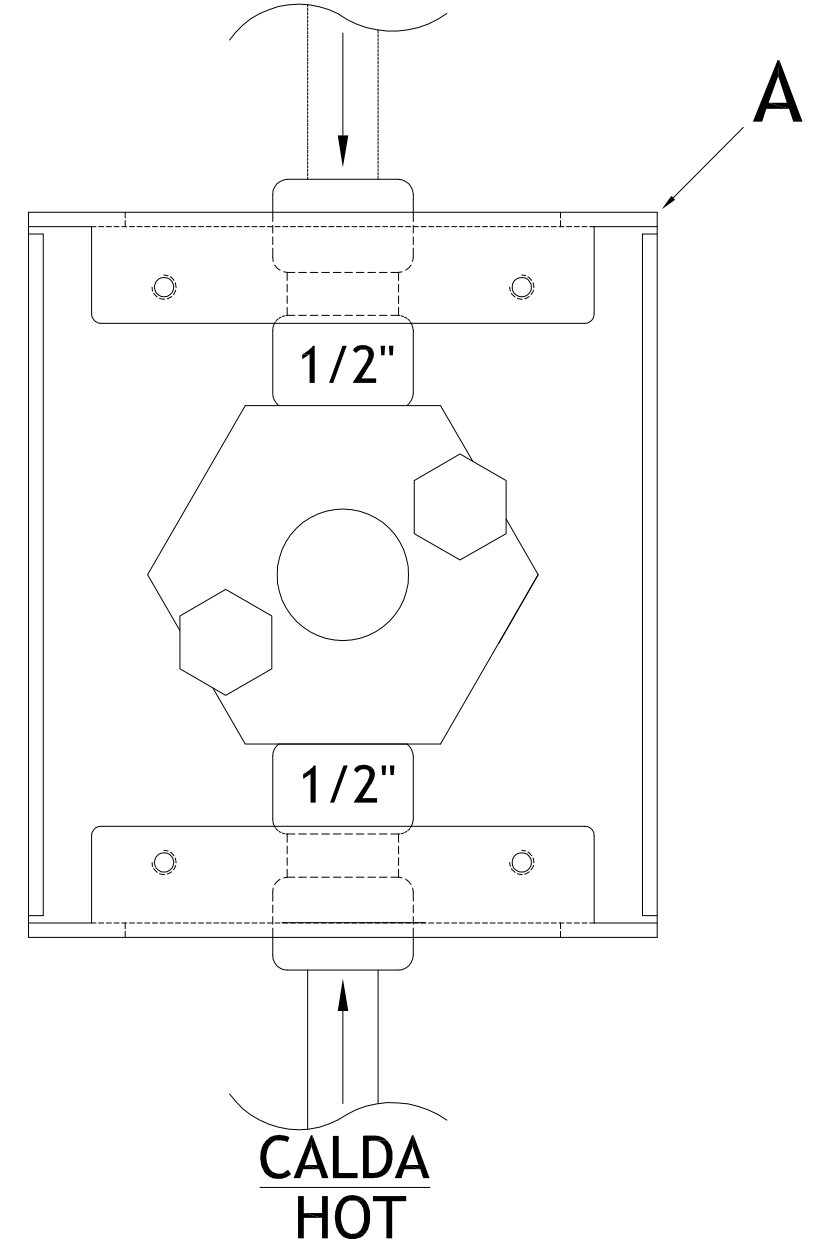


FIG 1

FREDDA
COLD



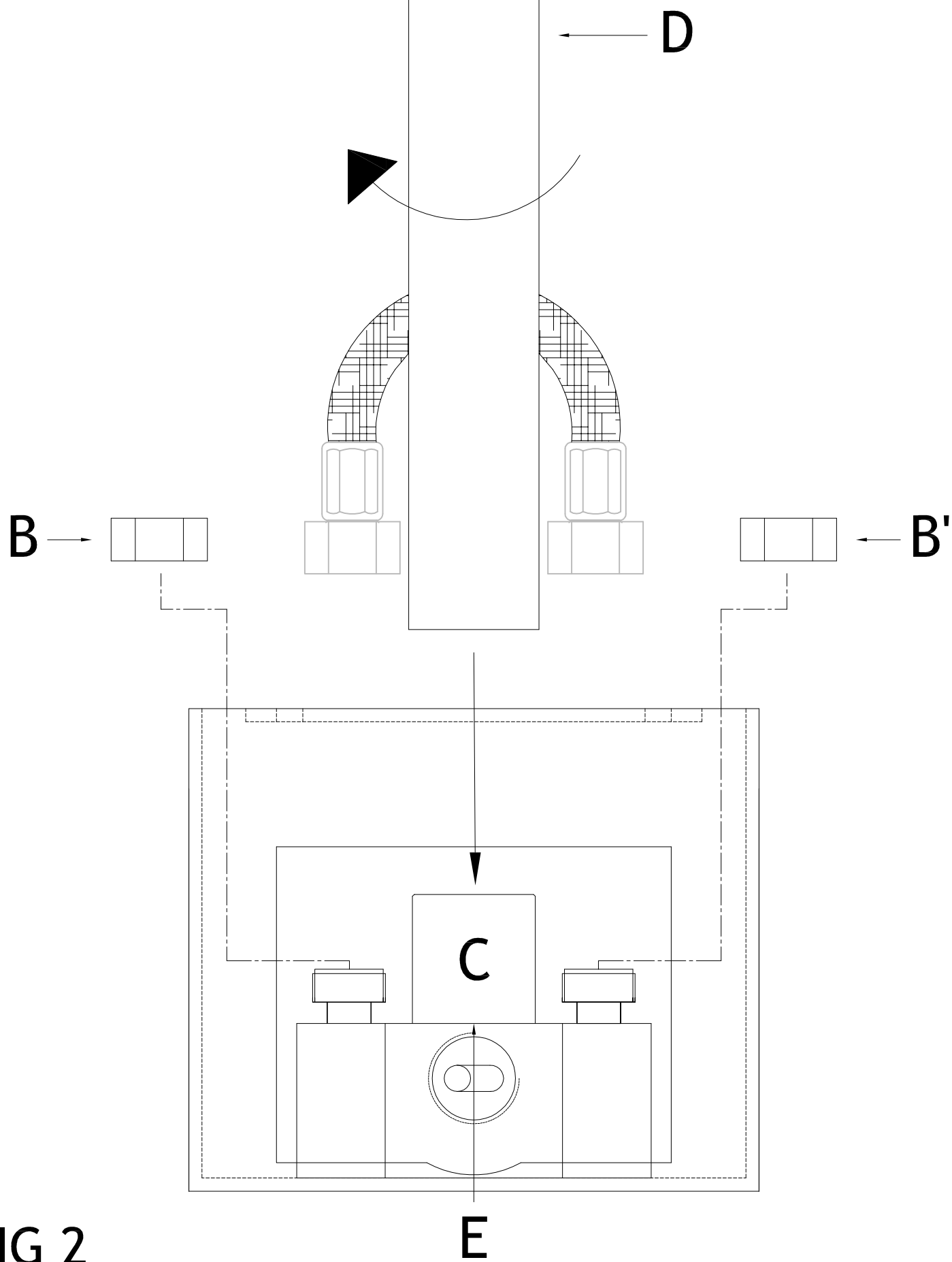


FIG 2

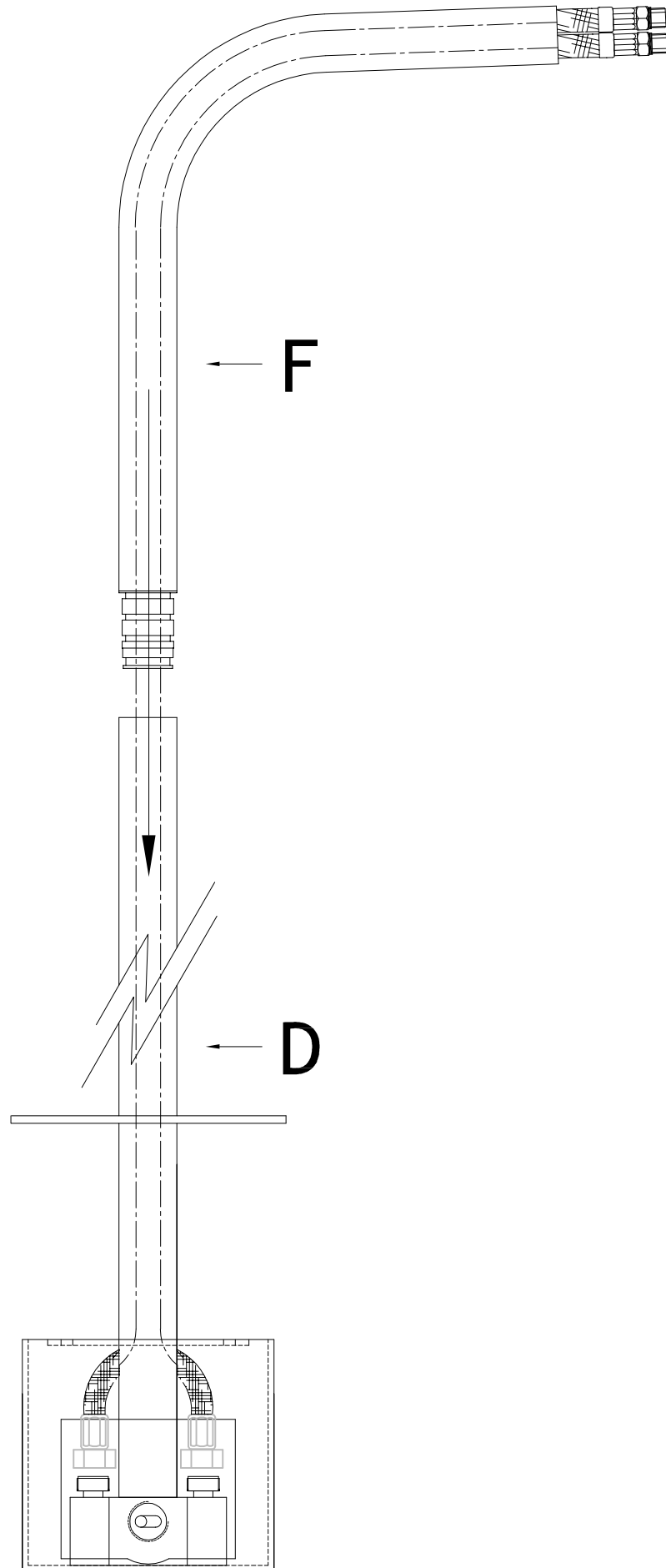


FIG 3

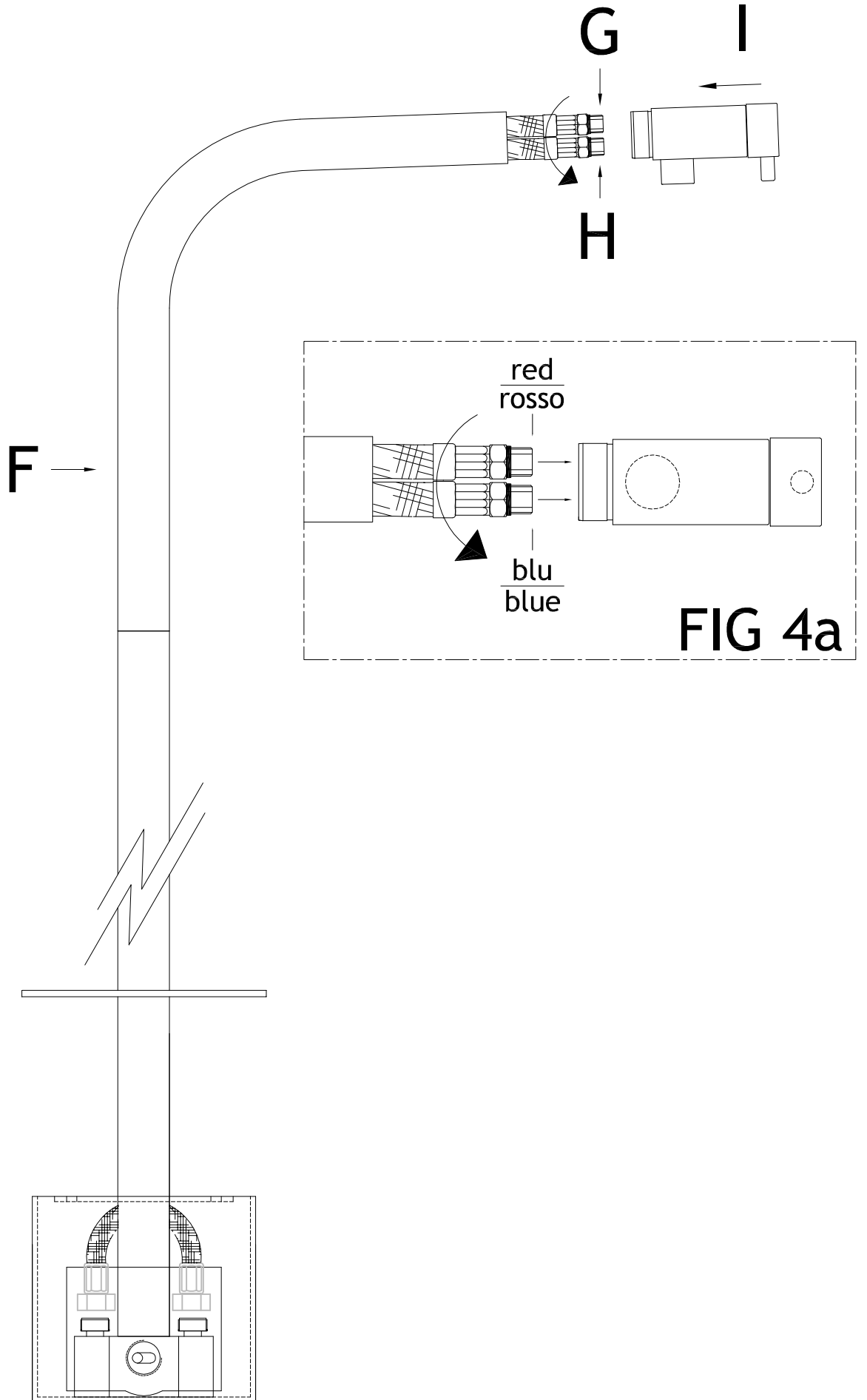


FIG 4

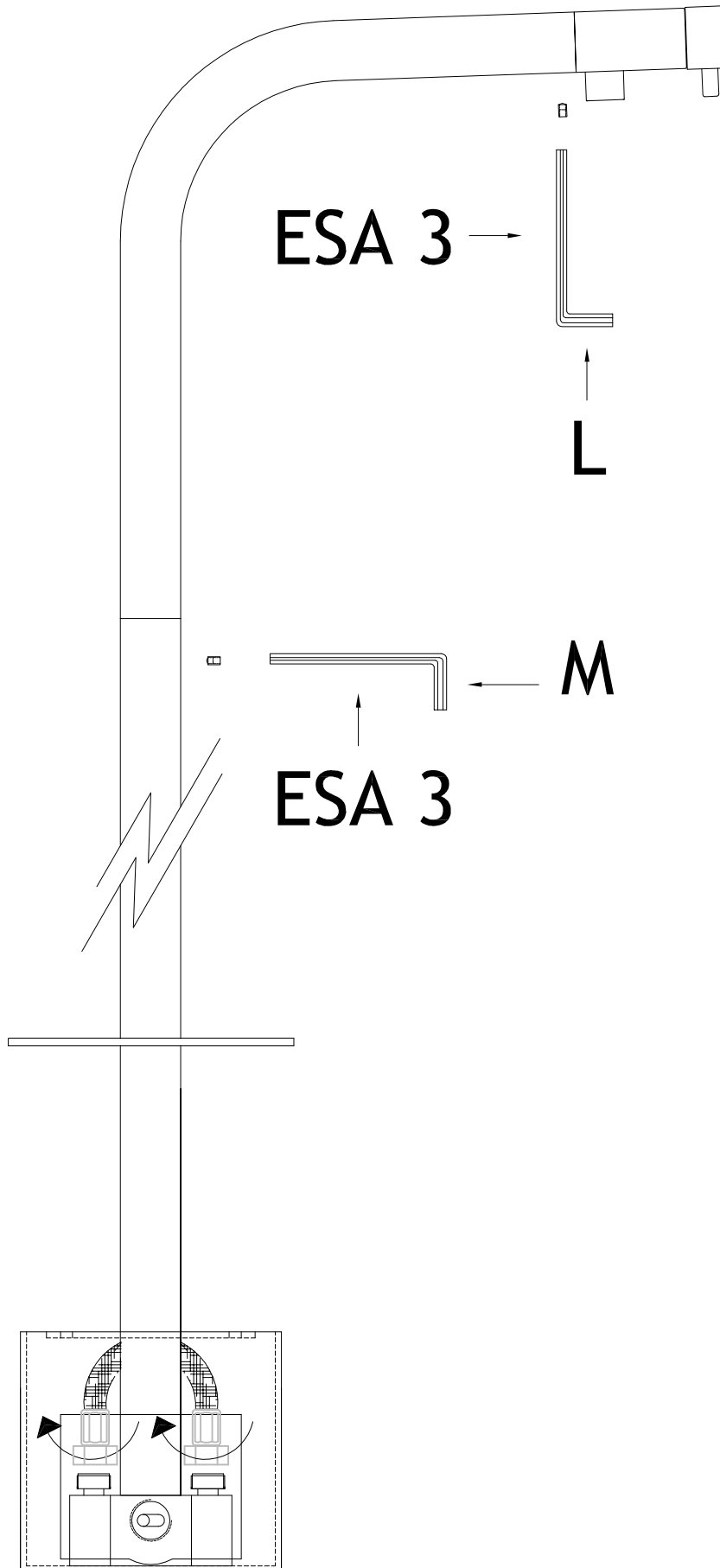


FIG 5

SILICONE

145 max

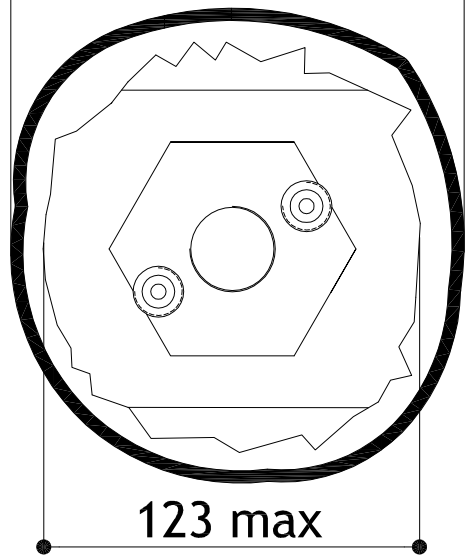
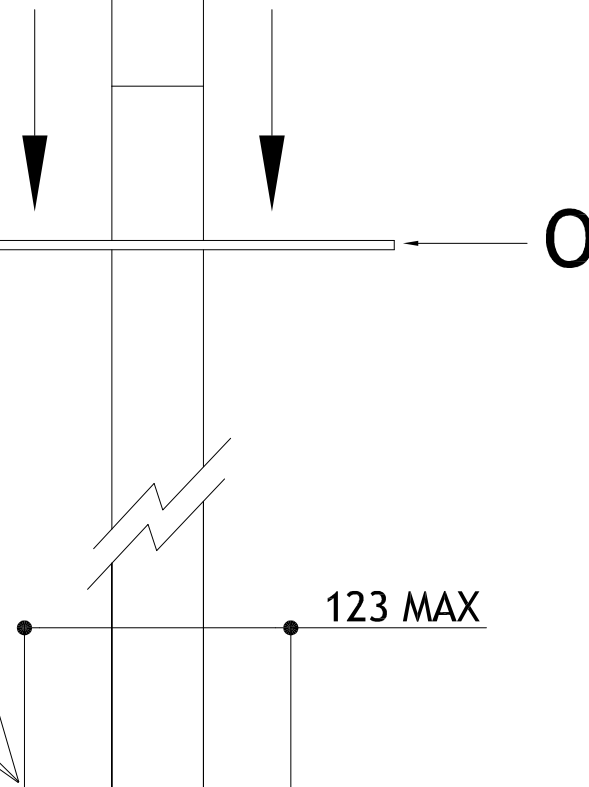
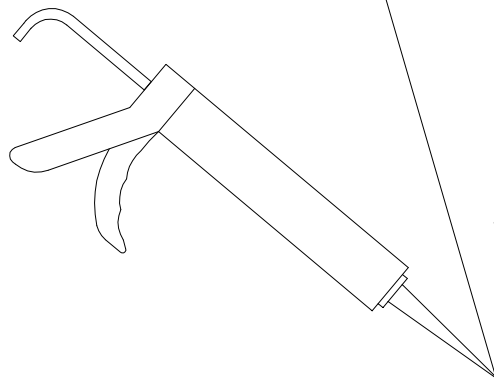
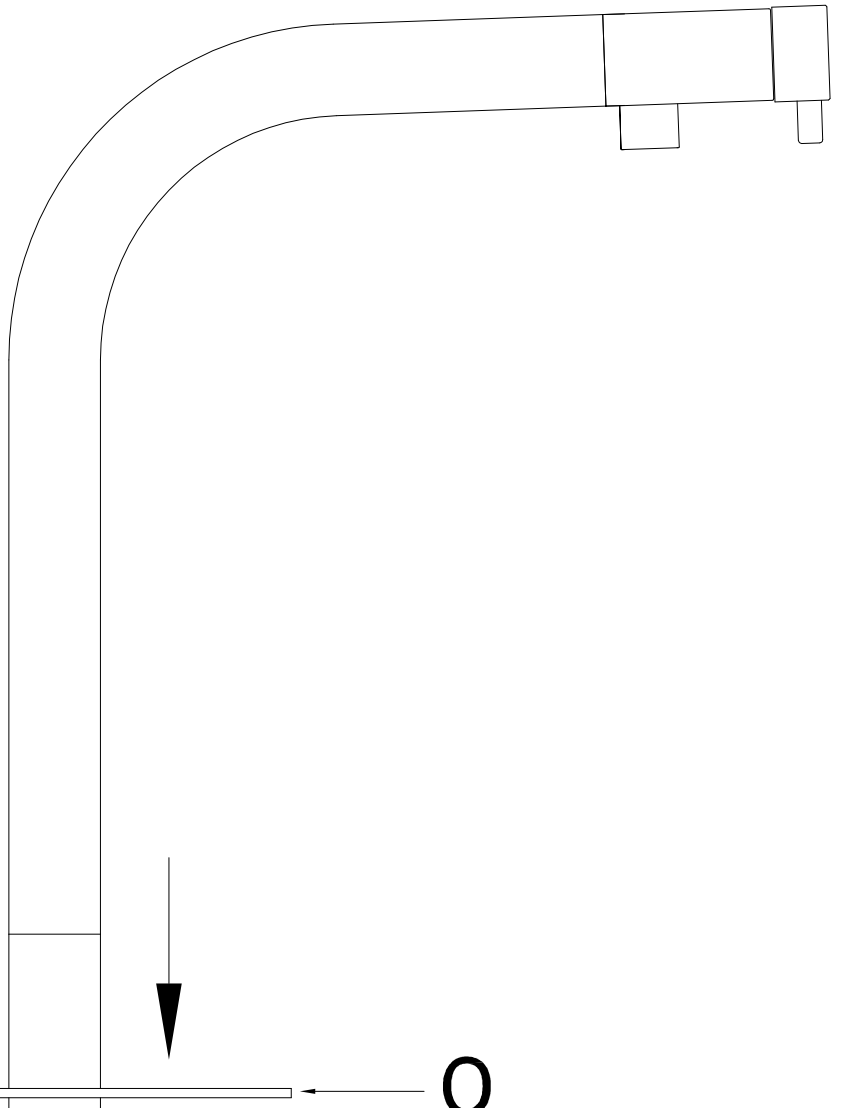


FIG 6a



123 MAX

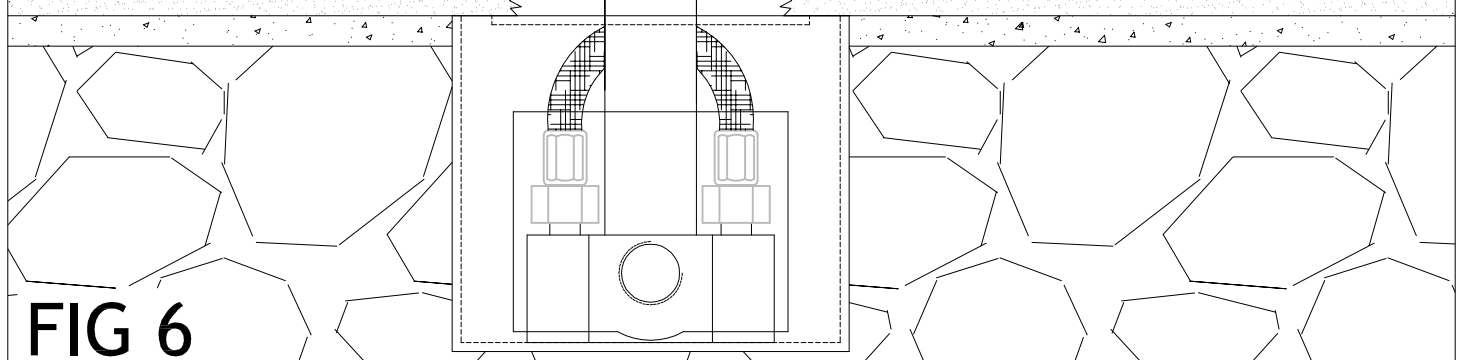


FIG 6

MGS

ASSEMBLY INSTRUCTIONS WASH BASIN COLUMN MB247 (INCLUDING SPOUT)

- Flush through the supply pipes.
- We recommend to install between the mains and the faucet a water filter which should be regularly cleaned.

(FIG 1)

- Fix into position built-in box (A) after checking it has a correct level and that it will be under the finished floor level. Take care that the box is kept fully accessible.
- Connect the mains as shown in the drawing.
- Test water tightness of the connections.

(FIG 2)

- Remove plugs (B-B') and protection sleeve (C).
- Fully screw column (D) onto the central nozzle of box (E).

(FIG 3)

- Push flexible hoses through spout (F) and insert spout in column (D).

(FIG 4) (FIG 4a)

- Connect flexible hoses (G) and (H) to the outputs (blue to cold water and red to hot water).
- Fully insert mixer body (I) into spout (F).

FIG. 5)

- Tighten two grub screws M4 (L) and (M) with enclosed allen key.

(FIG 6) (FIG 6a)

- Apply a circular layer (within a diameter of 145 mm) of silicone on the floor.
- Remove protection layer from aesthetic plate (O) and guide it to the floor onto the silicone taking care of not damaging the column surface.